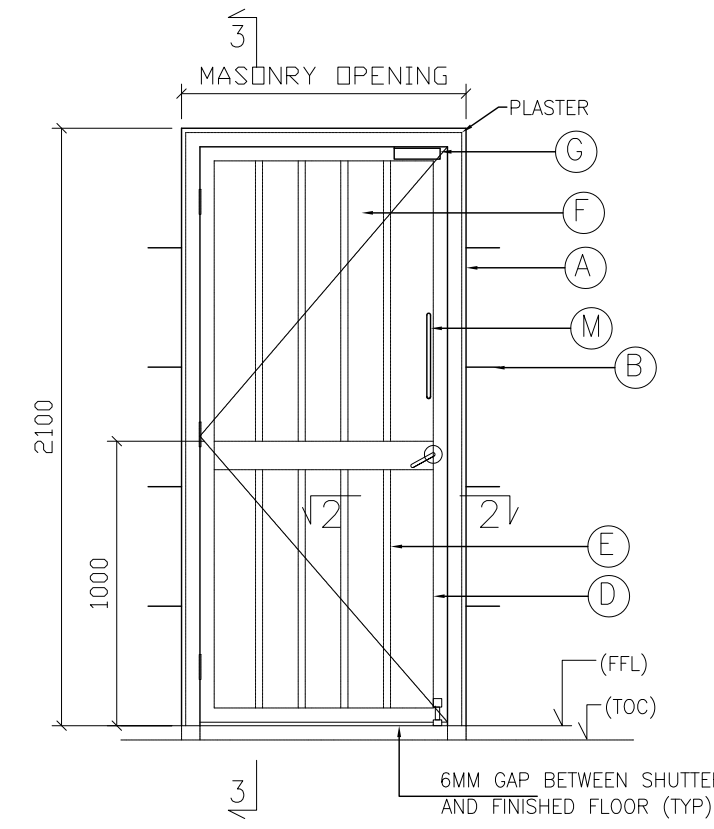
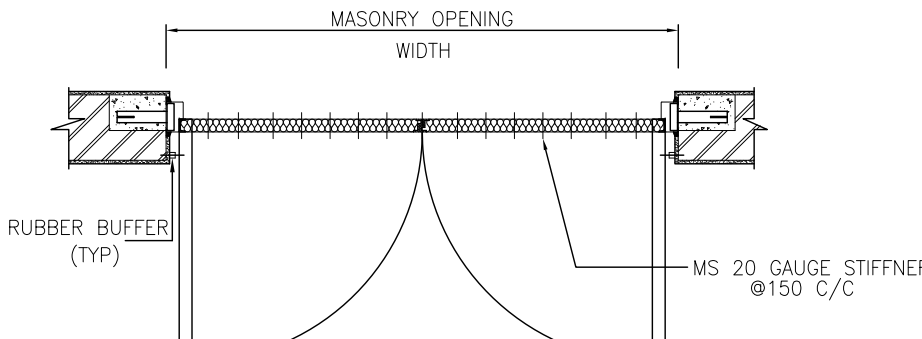


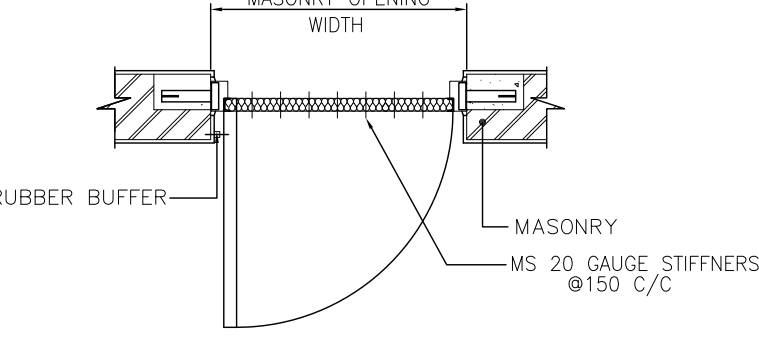
ELEVATION OF DOUBLE SHUTTER STEEL DOOR



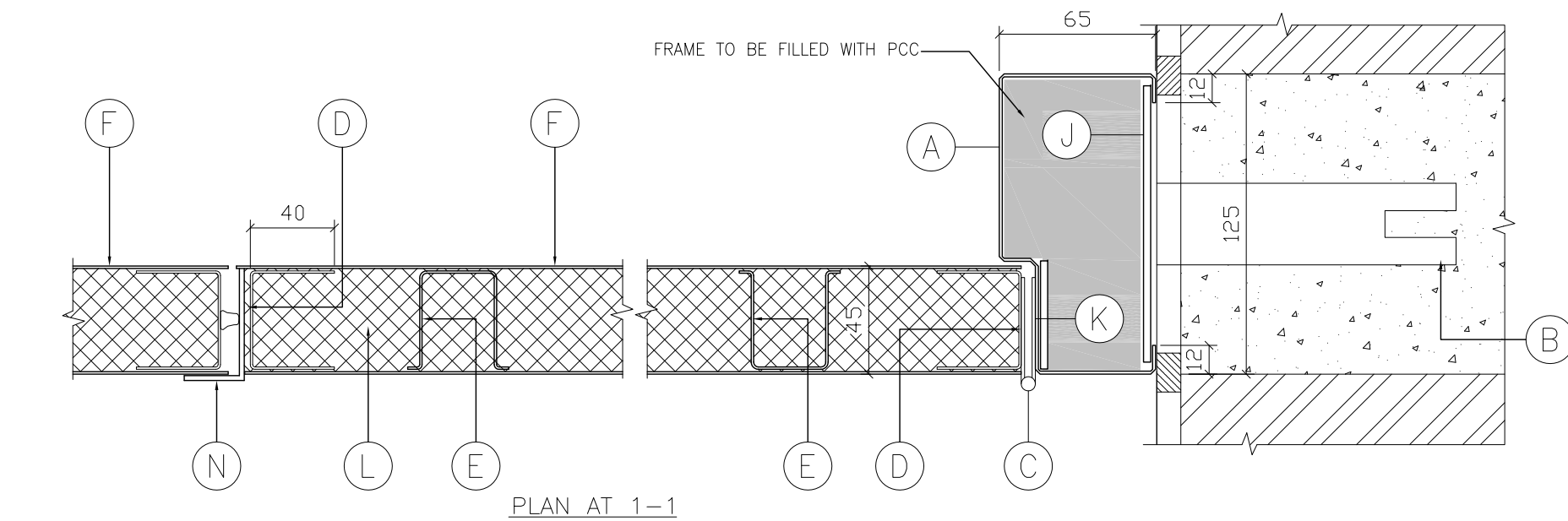
ELEVATION OF SINGLE SHUTTER STEEL DOOR



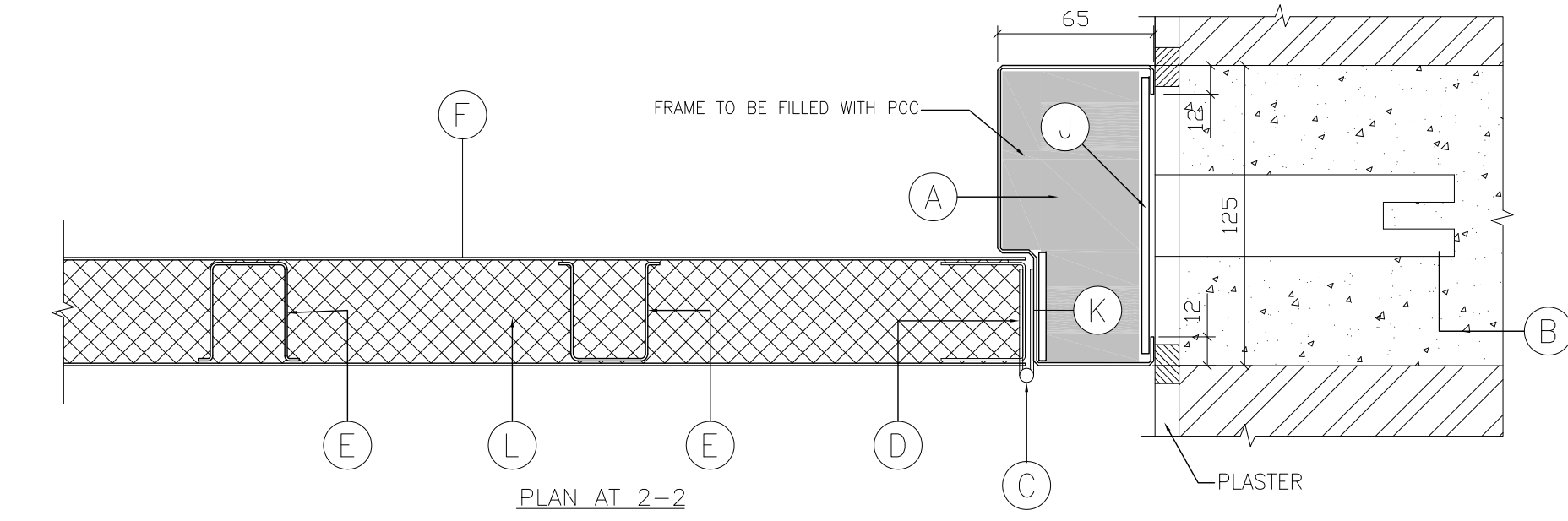
PLAN STEEL DOOR - DOUBLE SHUTTER



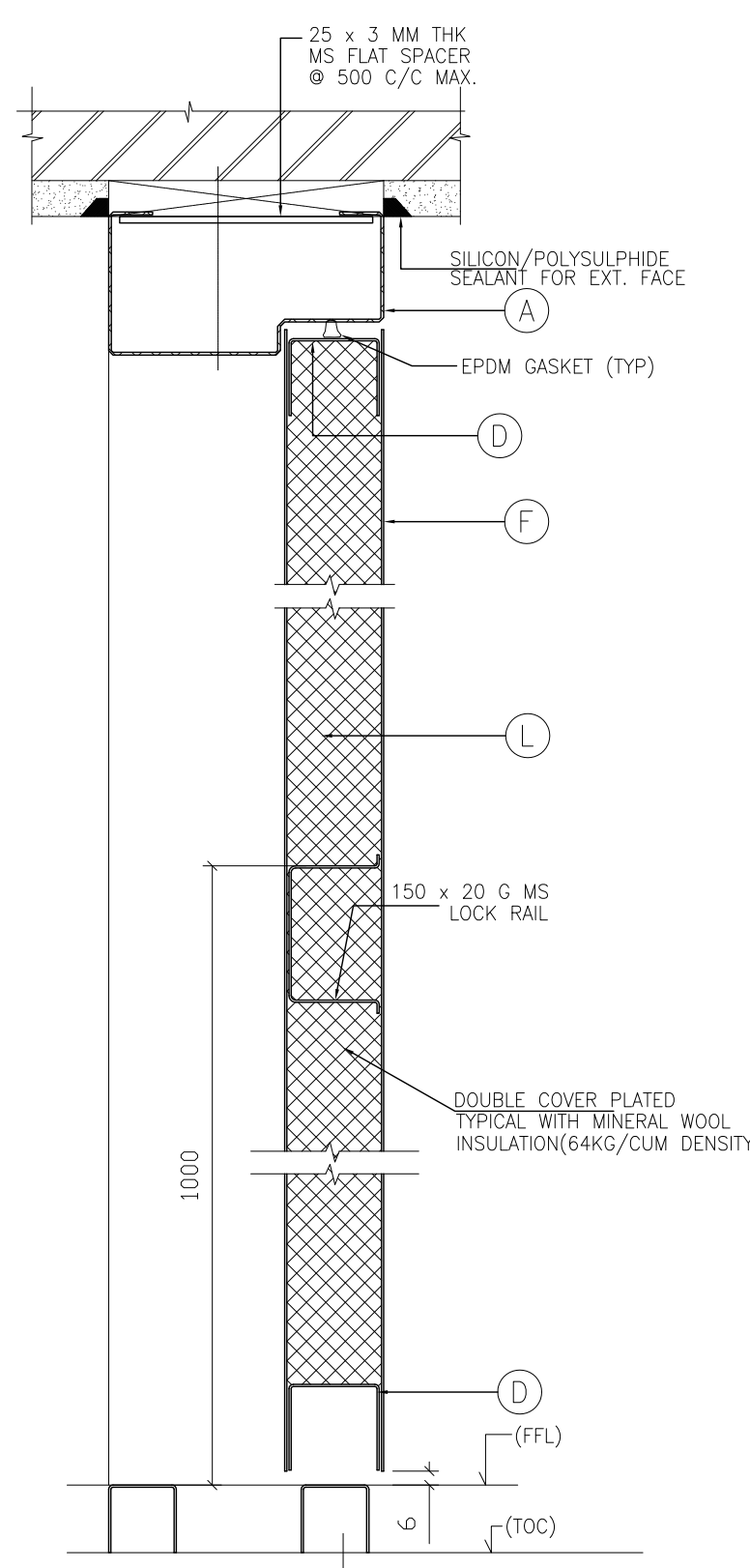
PLAN STEEL DOOR - SINGLE SHUTTER



PLAN AT 1-1



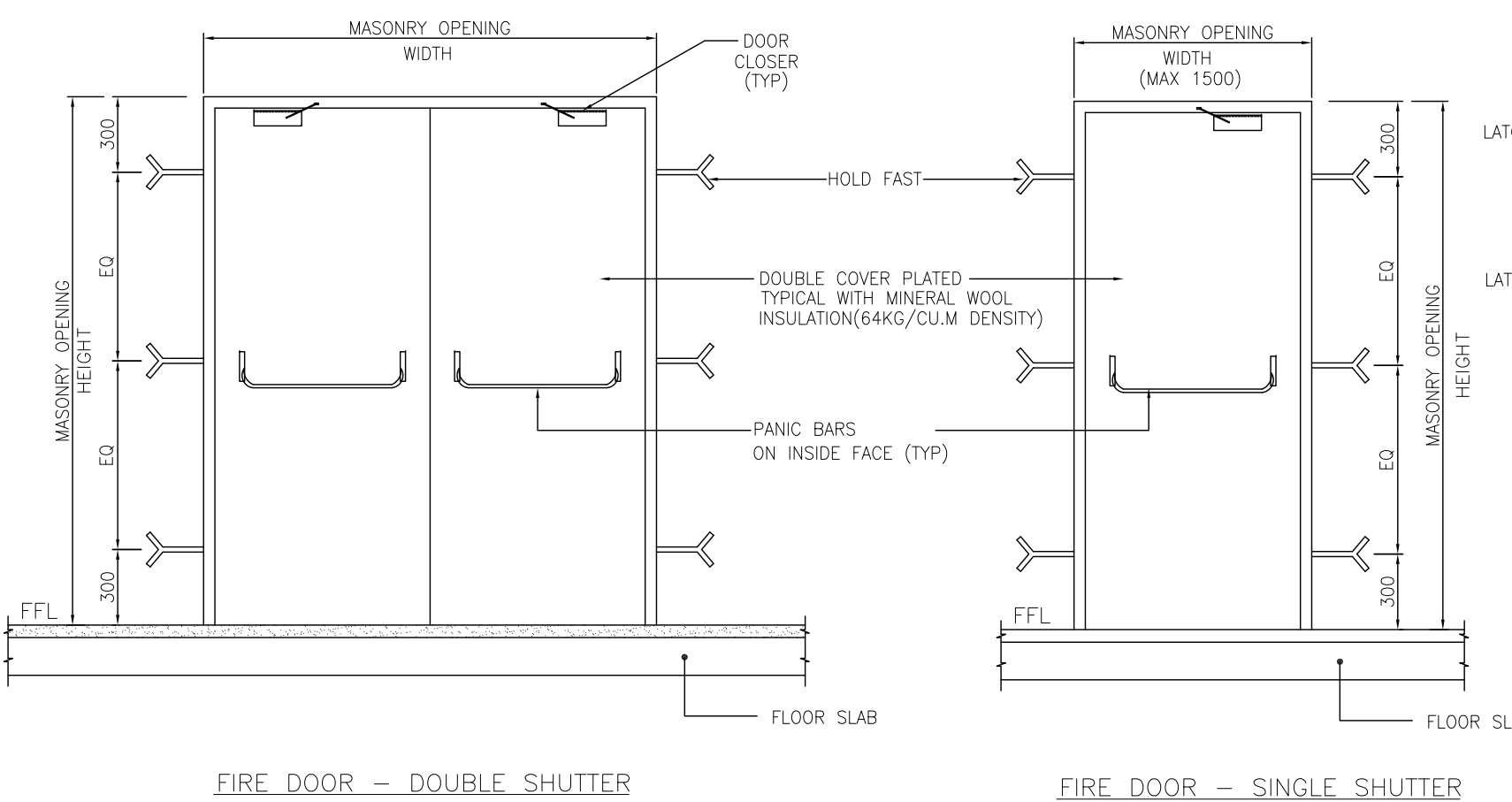
PLAN AT 2-2



SECTION AT 3-3

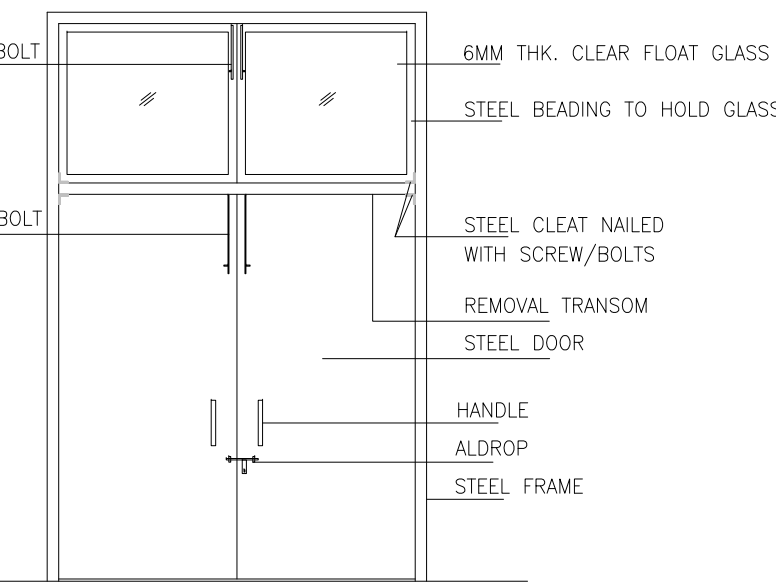
LEGEND FOR STEEL DOORS

- A - 16G (1.6MM) PRESSED STEEL FRAME
B - MS HOLDFASTS 40X6 MS FLAT 200 LONG
C - 150 MM LONG BUTT HINGES
D - 18G (1.2MM) MS CHANNEL AS SHUTTER FRAME
E - 20G MS STIFFENERS @ 150 C/C
F - 45 THK DOUBLE PLATE FLUSH SHUTTER
G - OVERHEAD HYDRAULIC DOOR CLOSER
H - DOOR STOPPER
J - 50 x 5 THK MS FLAT SPACER
K - 40x150x5 THK MS PAD PLATE
L - MINERAL WOOL
M - DOOR HANDLE
N - 25x45x3 THK MS ANGLE

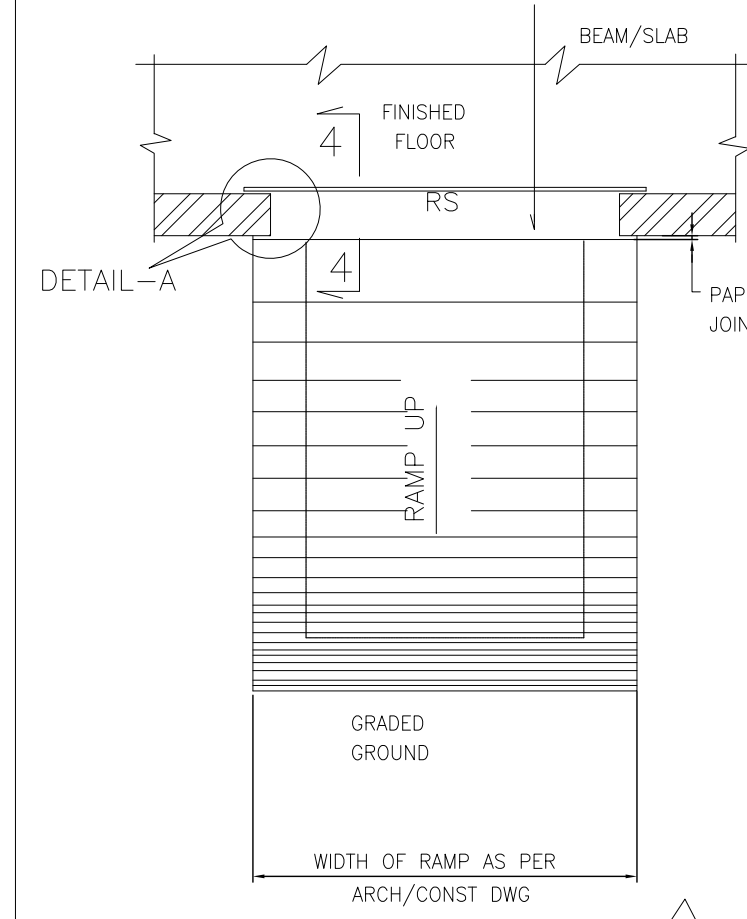


FIRE DOOR - DOUBLE SHUTTER

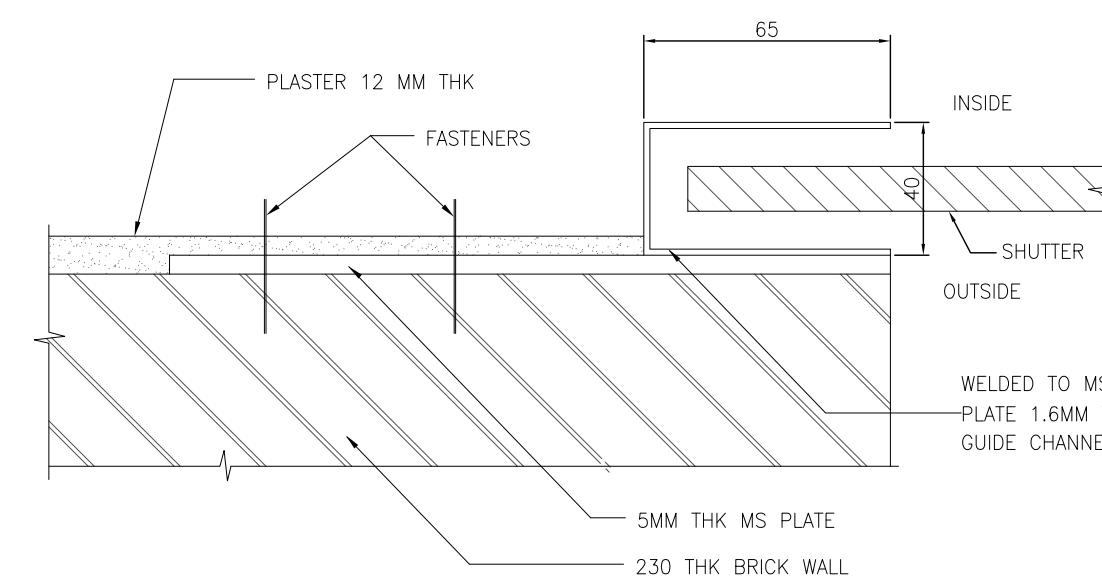
FIRE DOOR - SINGLE SHUTTER



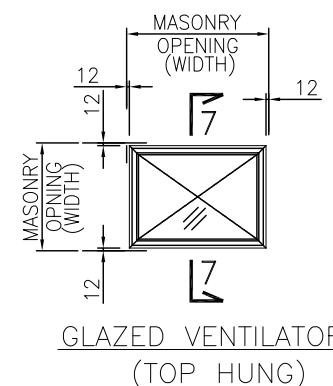
DETAIL OF REMOVAL TRANSOM FOR STEEL DOOR



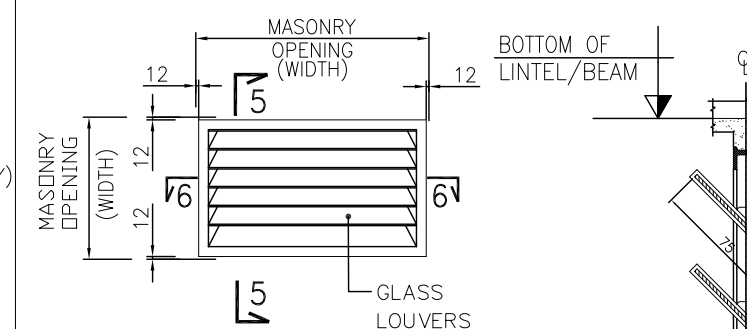
PLAN OF ROLLING SHUTTER



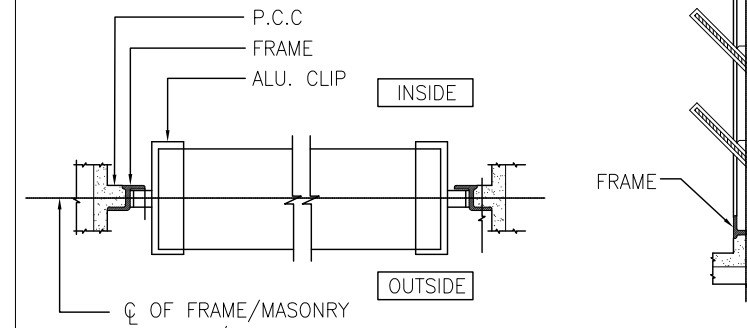
DETAIL - A (DETAIL-D11)



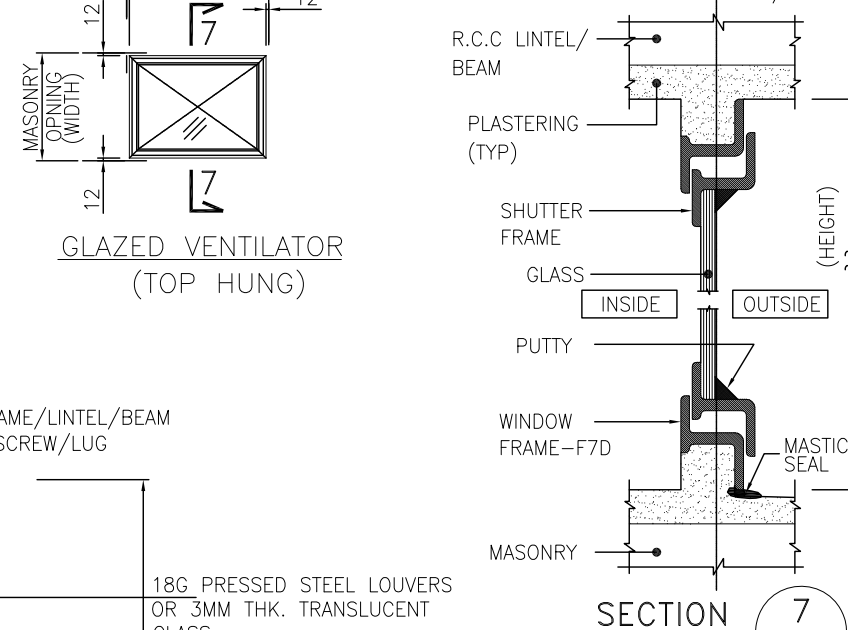
GLAZED VENTILATOR (TOP HUNG)



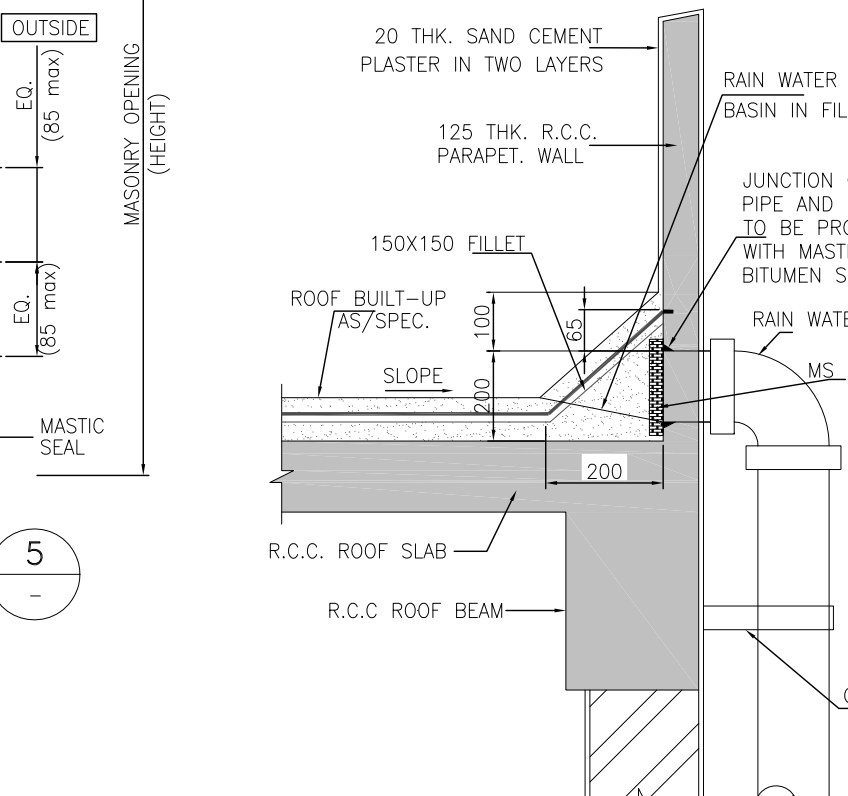
LOUVERED VENTILATOR (GLASS/STEEL)



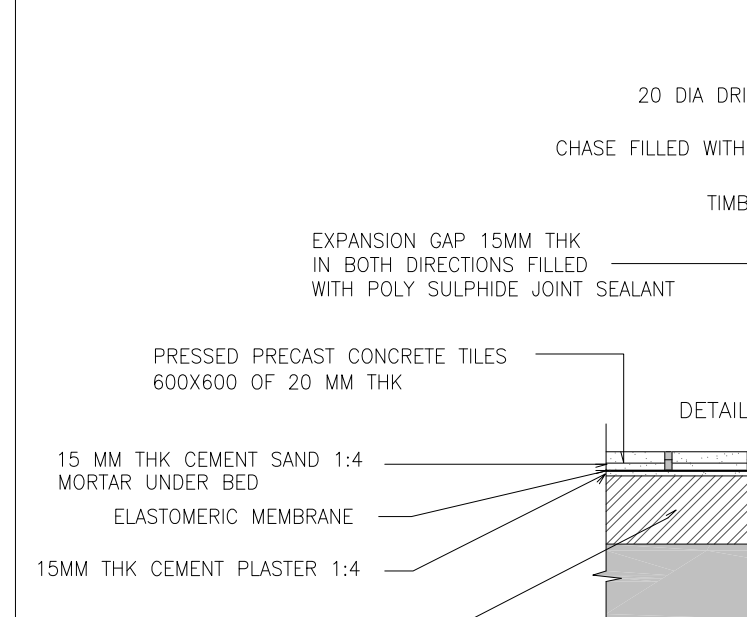
SECTION 5



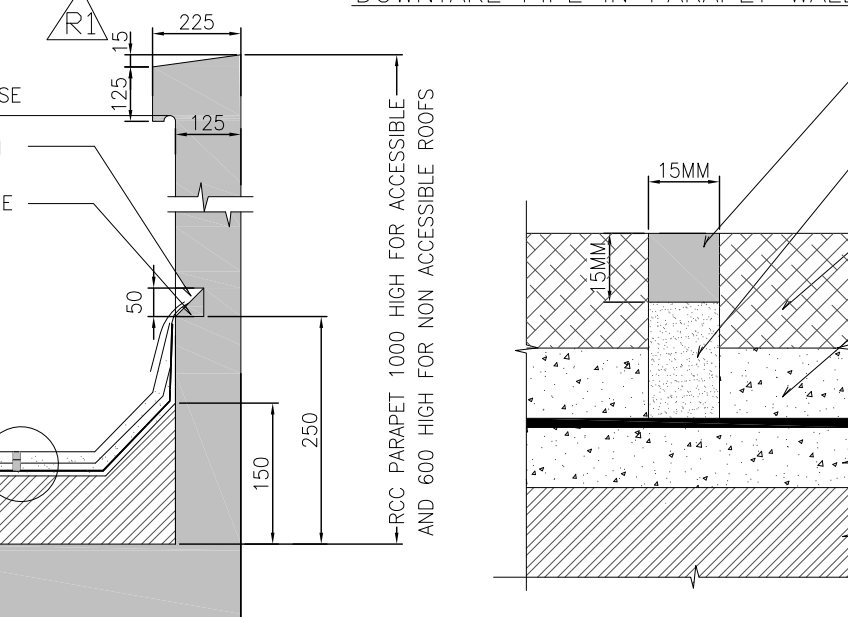
SECTION 7



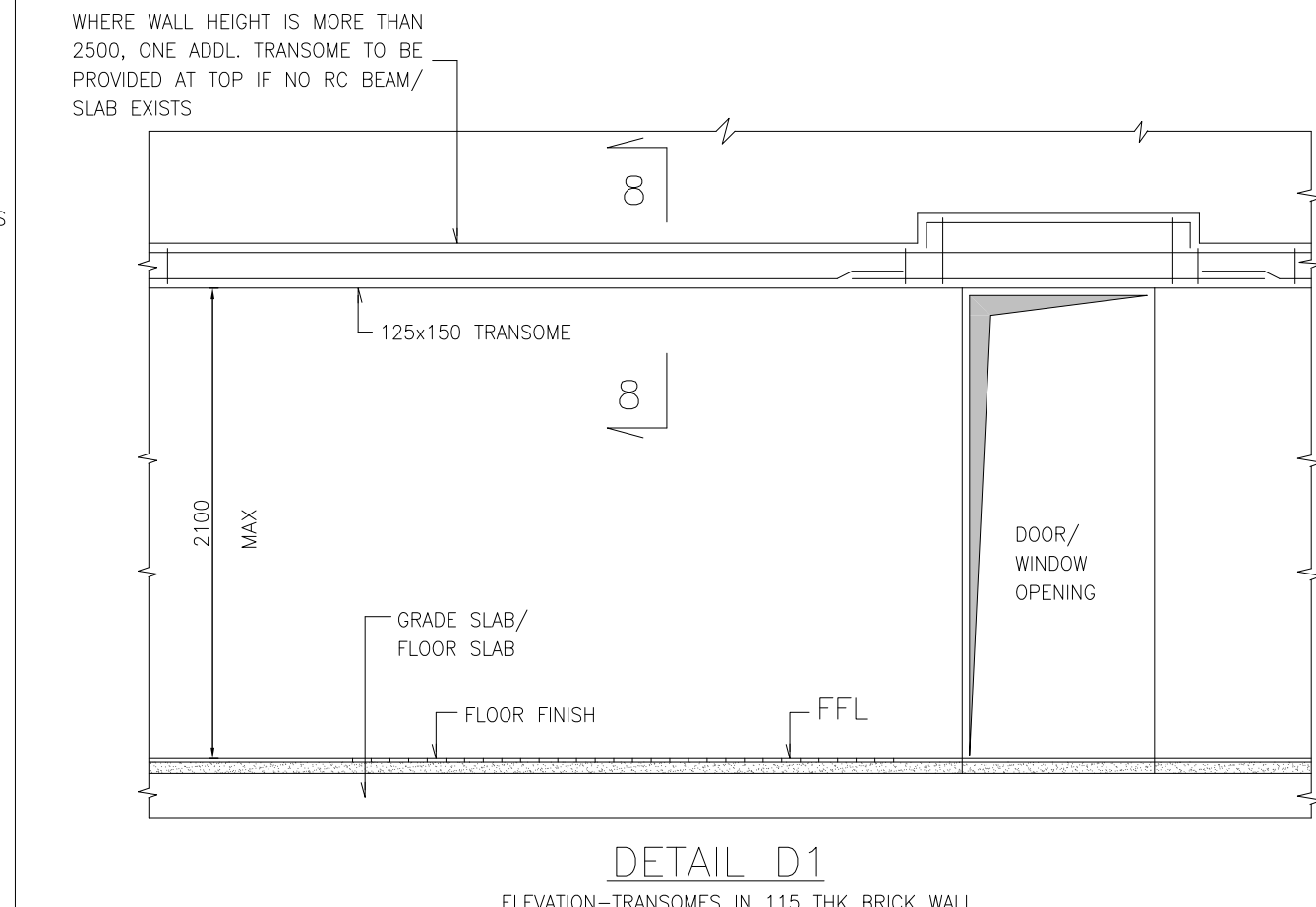
FIXING DETAIL OF RAIN WATER DOWNTAKE PIPE IN PARAPET WALL



WATER PROOFING FOR SLOPED ROOF

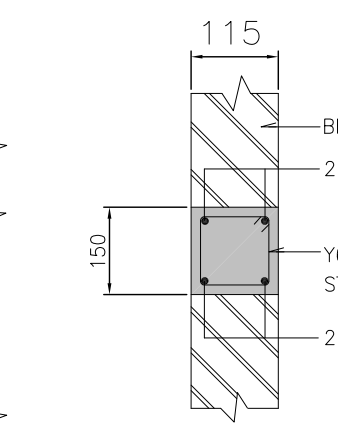


WATER PROOFING FOR FLAT ROOF



DETAIL D1

ELEVATION-TRANSOMS IN 115 THK BRICK WALL (NOTE-PROVIDE 2 NOS Y6 BARS AT EVERY FOURTH COURSE)



SECTION 8-8 (DETAIL-D13)

LEGEND

- TYP - TYPICAL
THK - THICKNESS
EQ - EQUAL
E - CENTRE LINE
UNO - UNLESS NOTED OTHERWISE
R.C.C - REINFORCED CEMENT CONCRETE
FFL - FINISHED FLOOR LEVEL
PS - PRESSED STEEL

IMPORTANT NOTES
1. ONLY SUPPLY OF STEEL DOORS, WINDOWS, VENTILATORS, ROLLING SHUTTERS, RAIN WATER DOWNTAKE PIPES ARE IN SCOPE OF OPGC.

- NOTES
1. ALL DIMENSIONS ARE IN MM.
2. THIS DRAWING SHALL BE READ IN CONJUNCTION WITH RELEVANT ARCHITECTURAL DRAWINGS & TECH. SPECIFICATION
3. ALL STEEL SURFACES SHALL BE PAINTED WITH SYNTHETIC PAINT OVER PRIMER AS PER SPECIFICATION.

Copyright and Confidentiality Notice

Revision table with columns for REV, DATE, ALD, CHD, APPD, and descriptions of changes.

Project information block including OPGC document no., project name, customer, and engineering details.

Small table with project details and dates.

Small table with project details and dates.

Small table with project details and dates.

Small table with project details and dates.