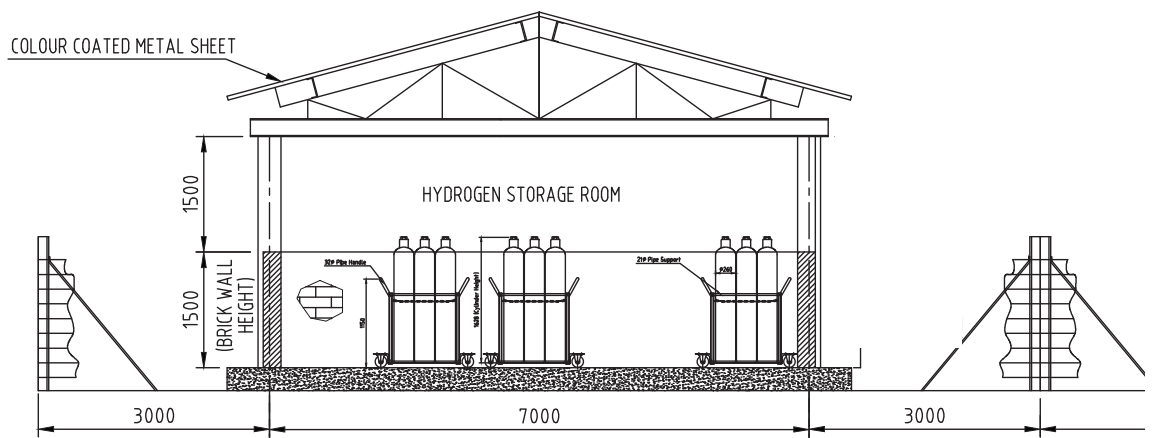
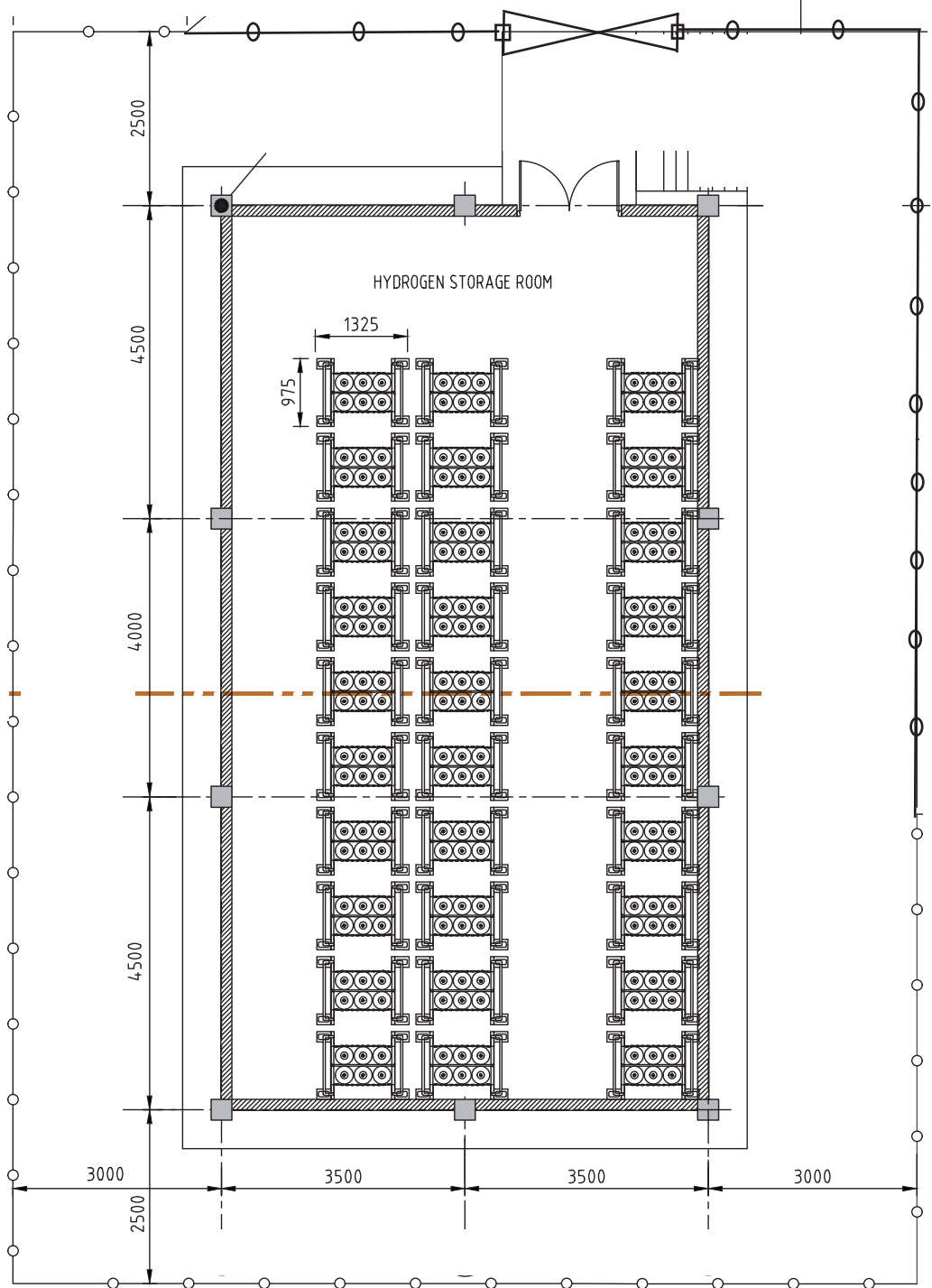
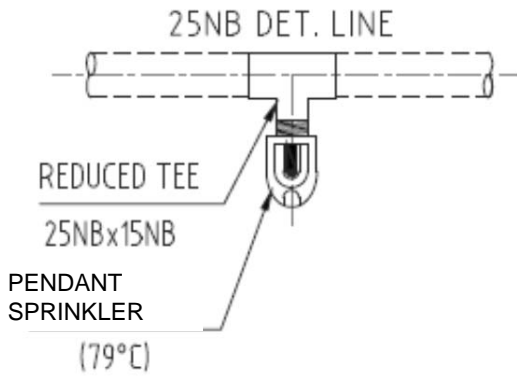


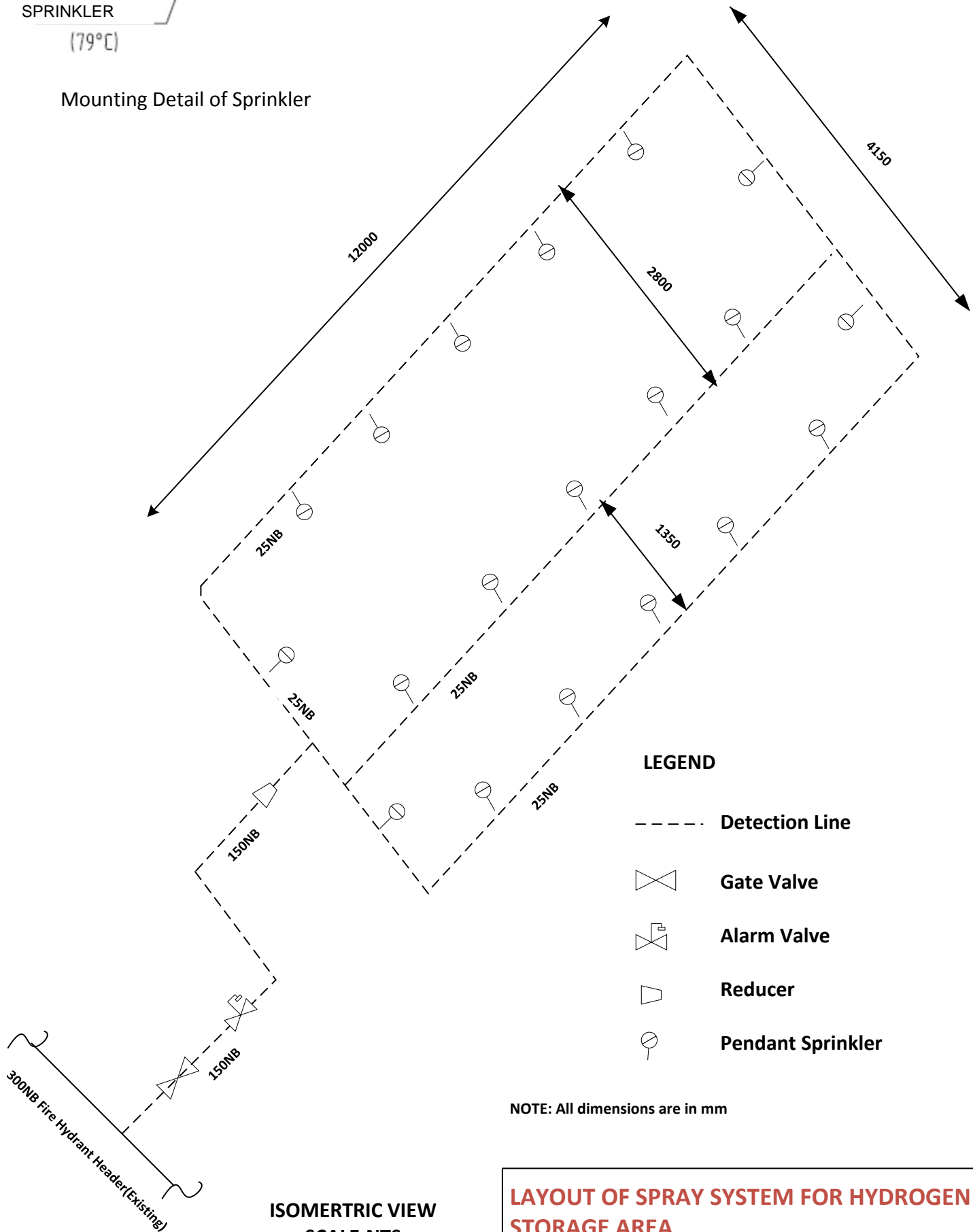
Annexure I



Hydrogen Storage Building Area:13000x7000

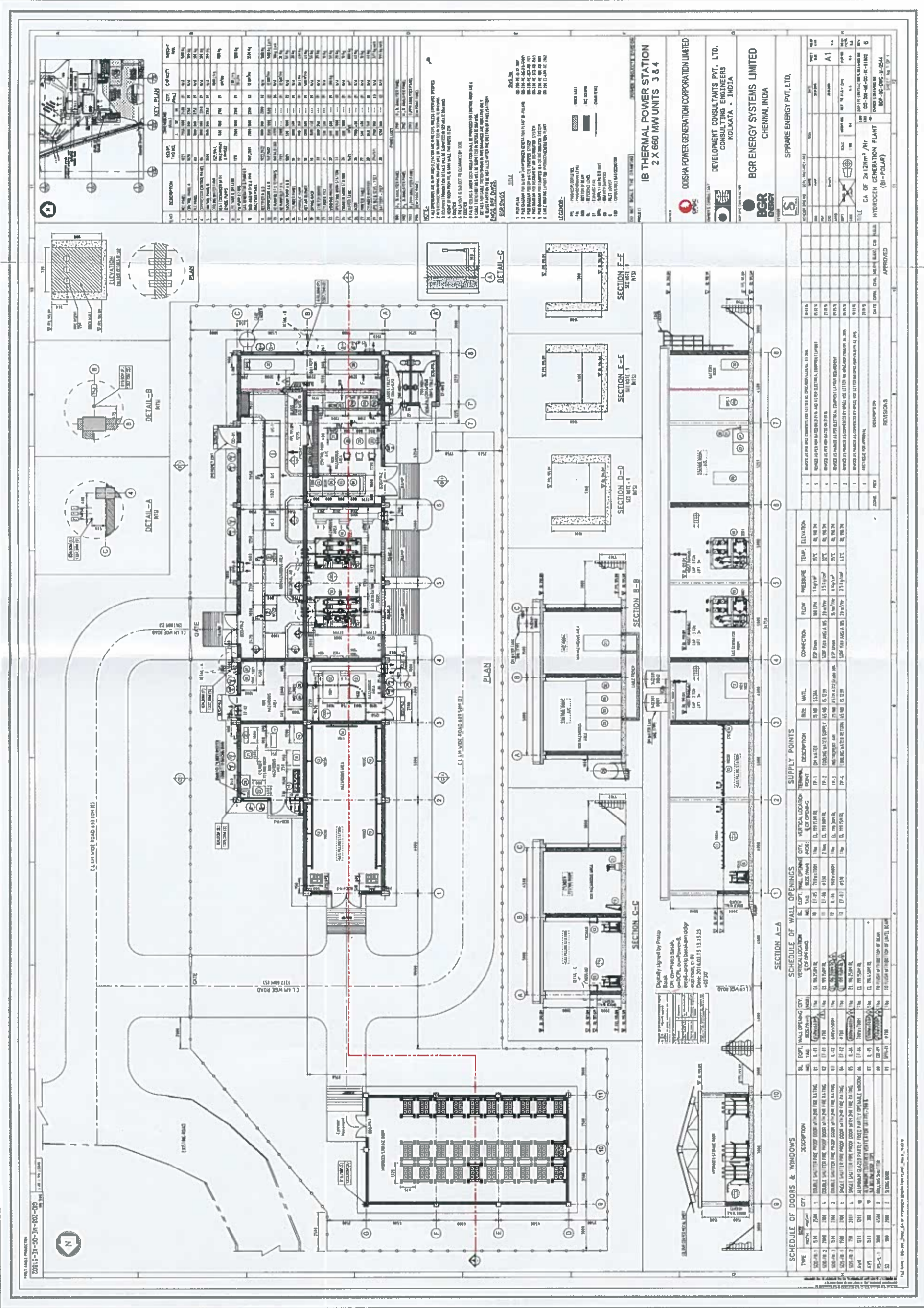


Mounting Detail of Sprinkler



ISOMERTRIC VIEW
SCALE:NTS

LAYOUT OF SPRAY SYSTEM FOR HYDROGEN STORAGE AREA



KEY PLAN

NO.	DESCRIPTION	AREA (sq. m)	CITY	CAPACITY	UNIT
1	UNIT 3	10000	...	660 MW	...
2	UNIT 4	10000	...	660 MW	...
3
4
5
6
7
8
9
10
11
12
13
14
15
16
17
18
19
20
21
22
23
24
25
26
27
28
29
30
31
32
33
34
35
36
37
38
39
40
41
42
43
44
45
46
47
48
49
50

NOTES

1. ALL DIMENSIONS ARE IN METERS UNLESS OTHERWISE SPECIFIED.
2. ALL DIMENSIONS ARE TO FACE UNLESS OTHERWISE SPECIFIED.
3. ALL DIMENSIONS ARE TO FACE UNLESS OTHERWISE SPECIFIED.
4. ALL DIMENSIONS ARE TO FACE UNLESS OTHERWISE SPECIFIED.
5. ALL DIMENSIONS ARE TO FACE UNLESS OTHERWISE SPECIFIED.
6. ALL DIMENSIONS ARE TO FACE UNLESS OTHERWISE SPECIFIED.
7. ALL DIMENSIONS ARE TO FACE UNLESS OTHERWISE SPECIFIED.
8. ALL DIMENSIONS ARE TO FACE UNLESS OTHERWISE SPECIFIED.
9. ALL DIMENSIONS ARE TO FACE UNLESS OTHERWISE SPECIFIED.
10. ALL DIMENSIONS ARE TO FACE UNLESS OTHERWISE SPECIFIED.
11. ALL DIMENSIONS ARE TO FACE UNLESS OTHERWISE SPECIFIED.
12. ALL DIMENSIONS ARE TO FACE UNLESS OTHERWISE SPECIFIED.
13. ALL DIMENSIONS ARE TO FACE UNLESS OTHERWISE SPECIFIED.
14. ALL DIMENSIONS ARE TO FACE UNLESS OTHERWISE SPECIFIED.
15. ALL DIMENSIONS ARE TO FACE UNLESS OTHERWISE SPECIFIED.
16. ALL DIMENSIONS ARE TO FACE UNLESS OTHERWISE SPECIFIED.
17. ALL DIMENSIONS ARE TO FACE UNLESS OTHERWISE SPECIFIED.
18. ALL DIMENSIONS ARE TO FACE UNLESS OTHERWISE SPECIFIED.
19. ALL DIMENSIONS ARE TO FACE UNLESS OTHERWISE SPECIFIED.
20. ALL DIMENSIONS ARE TO FACE UNLESS OTHERWISE SPECIFIED.
21. ALL DIMENSIONS ARE TO FACE UNLESS OTHERWISE SPECIFIED.
22. ALL DIMENSIONS ARE TO FACE UNLESS OTHERWISE SPECIFIED.
23. ALL DIMENSIONS ARE TO FACE UNLESS OTHERWISE SPECIFIED.
24. ALL DIMENSIONS ARE TO FACE UNLESS OTHERWISE SPECIFIED.
25. ALL DIMENSIONS ARE TO FACE UNLESS OTHERWISE SPECIFIED.
26. ALL DIMENSIONS ARE TO FACE UNLESS OTHERWISE SPECIFIED.
27. ALL DIMENSIONS ARE TO FACE UNLESS OTHERWISE SPECIFIED.
28. ALL DIMENSIONS ARE TO FACE UNLESS OTHERWISE SPECIFIED.
29. ALL DIMENSIONS ARE TO FACE UNLESS OTHERWISE SPECIFIED.
30. ALL DIMENSIONS ARE TO FACE UNLESS OTHERWISE SPECIFIED.
31. ALL DIMENSIONS ARE TO FACE UNLESS OTHERWISE SPECIFIED.
32. ALL DIMENSIONS ARE TO FACE UNLESS OTHERWISE SPECIFIED.
33. ALL DIMENSIONS ARE TO FACE UNLESS OTHERWISE SPECIFIED.
34. ALL DIMENSIONS ARE TO FACE UNLESS OTHERWISE SPECIFIED.
35. ALL DIMENSIONS ARE TO FACE UNLESS OTHERWISE SPECIFIED.
36. ALL DIMENSIONS ARE TO FACE UNLESS OTHERWISE SPECIFIED.
37. ALL DIMENSIONS ARE TO FACE UNLESS OTHERWISE SPECIFIED.
38. ALL DIMENSIONS ARE TO FACE UNLESS OTHERWISE SPECIFIED.
39. ALL DIMENSIONS ARE TO FACE UNLESS OTHERWISE SPECIFIED.
40. ALL DIMENSIONS ARE TO FACE UNLESS OTHERWISE SPECIFIED.
41. ALL DIMENSIONS ARE TO FACE UNLESS OTHERWISE SPECIFIED.
42. ALL DIMENSIONS ARE TO FACE UNLESS OTHERWISE SPECIFIED.
43. ALL DIMENSIONS ARE TO FACE UNLESS OTHERWISE SPECIFIED.
44. ALL DIMENSIONS ARE TO FACE UNLESS OTHERWISE SPECIFIED.
45. ALL DIMENSIONS ARE TO FACE UNLESS OTHERWISE SPECIFIED.
46. ALL DIMENSIONS ARE TO FACE UNLESS OTHERWISE SPECIFIED.
47. ALL DIMENSIONS ARE TO FACE UNLESS OTHERWISE SPECIFIED.
48. ALL DIMENSIONS ARE TO FACE UNLESS OTHERWISE SPECIFIED.
49. ALL DIMENSIONS ARE TO FACE UNLESS OTHERWISE SPECIFIED.
50. ALL DIMENSIONS ARE TO FACE UNLESS OTHERWISE SPECIFIED.

LEGEND

1	...
2	...
3	...
4	...
5	...
6	...
7	...
8	...
9	...
10	...
11	...
12	...
13	...
14	...
15	...
16	...
17	...
18	...
19	...
20	...
21	...
22	...
23	...
24	...
25	...
26	...
27	...
28	...
29	...
30	...
31	...
32	...
33	...
34	...
35	...
36	...
37	...
38	...
39	...
40	...
41	...
42	...
43	...
44	...
45	...
46	...
47	...
48	...
49	...
50	...

**IB THERMAL POWER STATION
2 X 660 MW UNITS 3 & 4**

ODISHA POWER GENERATION CORPORATION LIMITED

DEVELOPMENT CONSULTANTS PVT. LTD.
CONSULTING ENGINEERS
KOLKATA - INDIA

BGR ENERGY SYSTEMS LIMITED
CHENNAI, INDIA

SPARRA ENERGY PVT. LTD.

CA OF 24 12000 / Hr
HYDROGEN GENERATION PLANT
(BI-POLAR)

DATE: 15.12.25
DRAWN: ...
CHECKED: ...
APPROVED: ...

SCHEDULE OF WALL OPENINGS

NO.	DESCRIPTION	TEMP.	ELEVATION
1
2
3
4
5
6
7
8
9
10
11
12
13
14
15
16
17
18
19
20
21
22
23
24
25
26
27
28
29
30
31
32
33
34
35
36
37
38
39
40
41
42
43
44
45
46
47
48
49
50

SCHEDULE OF DOORS & WINDOWS

NO.	DESCRIPTION	TEMP.	ELEVATION
1
2
3
4
5
6
7
8
9
10
11
12
13
14
15
16
17
18
19
20
21
22
23
24
25
26
27
28
29
30
31
32
33
34
35
36
37
38
39
40
41
42
43
44
45
46
47
48
49
50