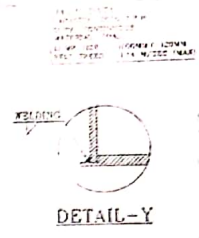
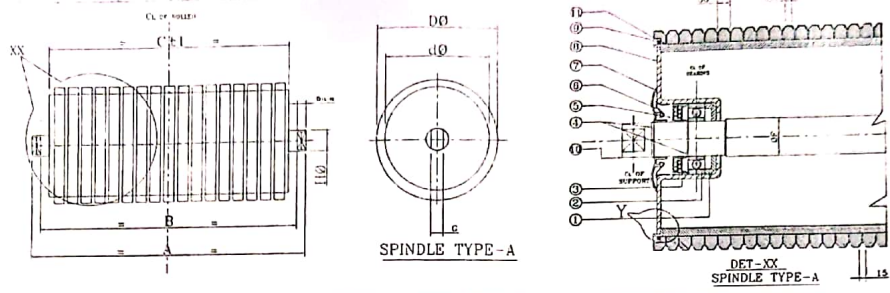
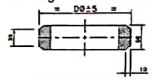


SKETCH-1 , (ITEM-1, IMPACT IDLER)

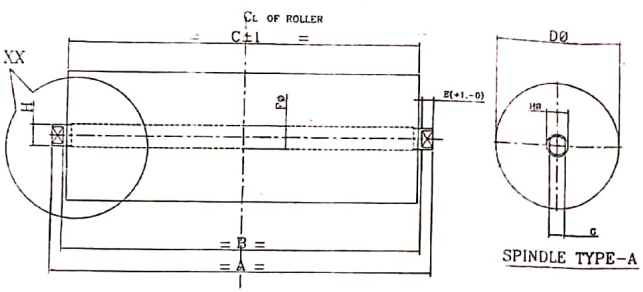


SI NO	B/W	A	B	C	Dø	dø	E	Hø	G	Fø	SHAFT DIA AT BEARING	BRG.NO.	BRG.MAKE	WT OF ROTATING PART APPROX. (KG)	WT OF ROLL (KG)
1	1800	702	678	670	190	139.7	12	35	28	35.15	35	6207-Z	SKF/FAG/NBC	23	30



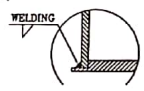
NO	DESCRIPTION	REMARKS
12	12	12
11	11	11
10	10	10
09	09	09

(SKETCH-2, ITEM-2, CARRYING IDLER)



BASIC DATA -
CAPACITY 3400 T.P.H
DIELECTRICITY
MATERIAL 304L
TEMP. SIZE 4-100MM (1-4 INCH)
DIELECT. SPEED 311 M/SEC (1000)

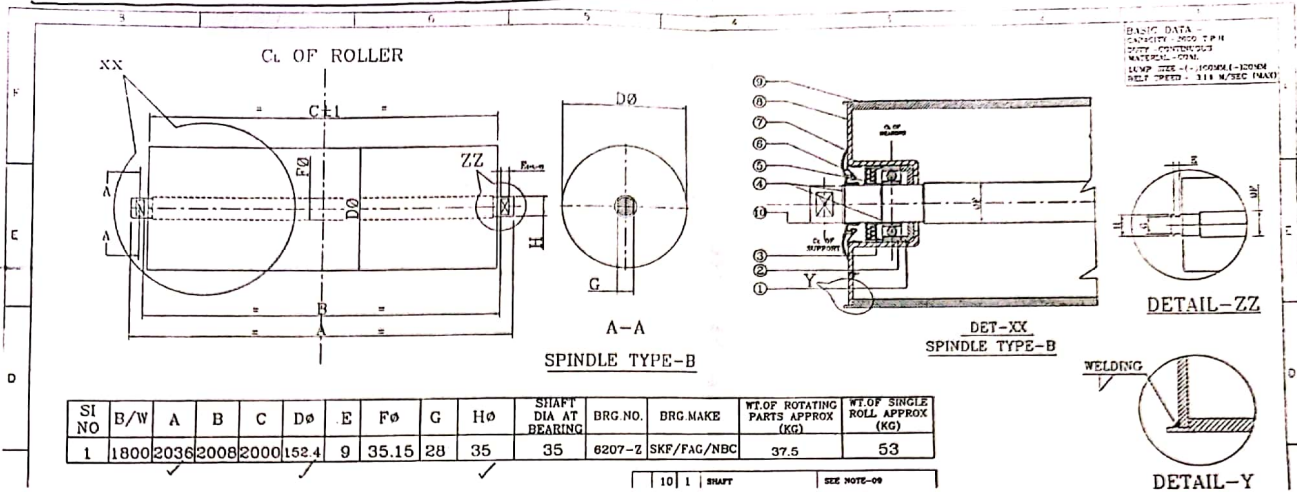
SI NO	B/W	A	B	C	Dø	E	Fø	G	Hø	SHAFT DIA AT BEARING	BRG NO.	BRG MAKE	WT OF ROTATING PARTS APPROX (KG)	WT OF SINGLE ROLL APPROX (KG)	REMARKS
1	1800	702	678	670	152.4	12	30.15	22	30	30	6206-Z	SKF/FAG/NBC	14	18	CARRYING, S.A. CARRYING.



NO	DESCRIPTION	REMARKS
10	1	SEE NOTE-08

Painting Specification-	
1	1
2	2

(SKETCH-3, ITEM-3, RETURN IDLER)



SKETCH-4, RETURN IDLER

