

PLAN AT EL. (+)8.500M

1. This drawing is reviewed in the line of Architectural point of view.
2. The Architect should be responsible to revise the drawing for any changes in the GA drawing for any reason whatsoever.

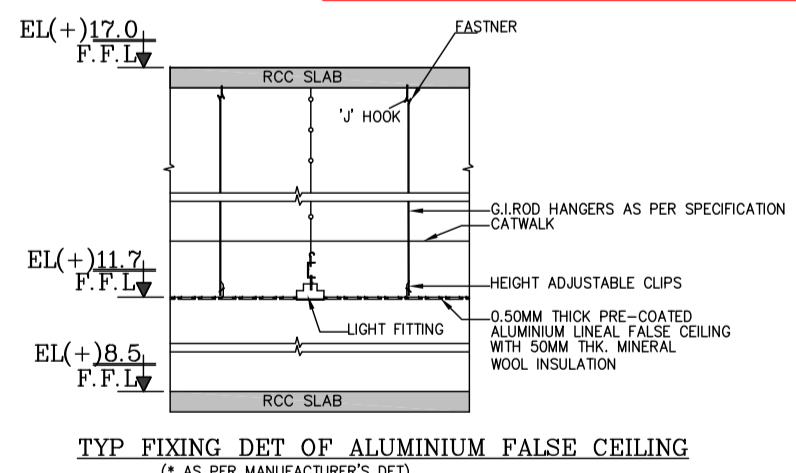
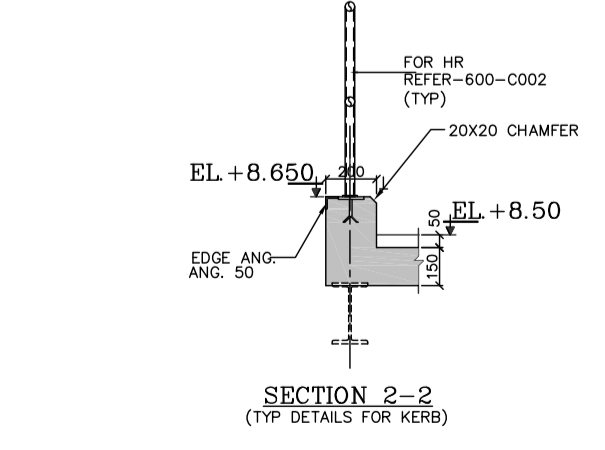
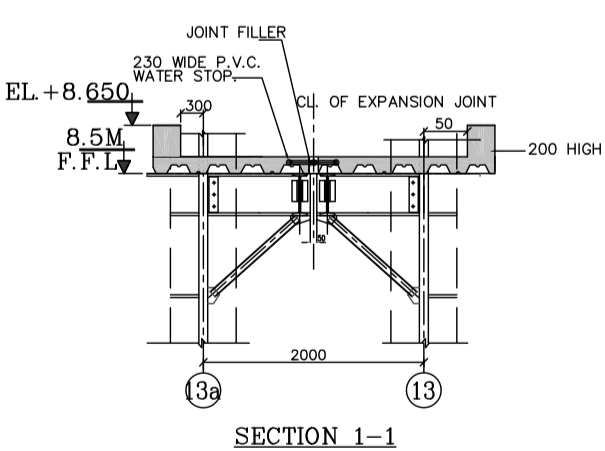
- NOTES:-
1. ALL DIMENSIONS ARE IN MM & ELEVATIONS IN METERS UNLESS STATED.
2. ALL ELEVATION LEVELS ARE REFERRED TO THE FINISHED GROUND FLOOR LEVEL OF POWER HOUSE AS (8.00) WHICH CORRESPONDS TO RL. +200.00M.
3. THIS DRAWING SHALL BE READ IN CONJUNCTION WITH TECHNICAL SPECIFICATION FOR CIVIL & STRUCTURAL AND ALL REFERENCE DRAWINGS.
4. THIS DRAWING SHALL BE READ IN CONJUNCTION WITH CONTRACT TERMS AND CONDITIONS, SPECIFICATION AND SCHEDULE OF ITEMS.
5. BRICK WALL UNDER ROOF CONTRACTOR SCOPE ETC.
6. WHEREVER BRICK WALL HEIGHT EXCEEDS 3.5 M. BRICK WORK SHALL BE PROVIDED WITH AN RCC BAND AS PER PE-DC-391-611-C001-MISC ARCHITECTURAL DETAILS.

SCHEDULE OF FINISHES table with columns for FLOORING and SKIRTING, listing materials like 40 mm cement concrete, granite stone, and ceramic tiles.

PAINTING(WALL, DADO & CEILING) table listing finishes for different areas like acrylic distemper, emulsion paint, and metal deck roofing.

INTERNAL FINISHING SCHEDULE table with columns for GRID, ROOM, FLOOR/SKIRTING, WALLS/DADO, and CEILING, detailing finishes for various rooms.

SCHEDULE OF DOOR table with columns for DESIGNATION, SIZE, and DESCRIPTION, listing fire proof doors and shutter doors.



SPECIAL NOTE:- DIRECTION OF FALSE CEILING IS UNDER THE SCOPE OF DP/DC/BGR/...

*SPECIAL NOTE: 1. RAIN WATER PIPE, 2. FALSE CEILING, 3. SANITARY AND TOILET FITTINGS, 4. DOOR, WINDOWS AND ROLLING SHUTTER ON BROCKWORK AND BRICKWORK AND SINGLE SKIN METAL CLADDING...



REF. DWG table listing reference drawings such as T.S. EQUIPMENT LAYOUT PLAN AT EL. 8.5M and CLADDING FRAMING DETAIL FOR C-ROW.

Approval stamp for BHEL PROJECT ENGINEERING MANAGEMENT LEVEL, including fields for NAME, ANNEESH DAS, and DATE 02.03.17.

OPGC DOCUMENT NO. BTG-UMA-DWG-S-0008 REV. 3

PROJECT: IB THERMAL POWER STATION, BANHARPALI 2x660MW UNITS 3&4

CUSTOMER: ORISSA POWER GENERATION CORPORATION LIMITED

ISSUED BY: DEVELOPMENT CONSULTANTS PRIVATE LIMITED

JOB NO. 391 STATUS CONTRACT DISTRIBUTION

DEPARTMENT: POWER SECTOR PROJECT ENGINEERING MANAGEMENT NOIDA

COPY RIGHT AND CONFIDENTIAL. THE INFORMATION ON THIS DOCUMENT IS THE PROPERTY OF BHARAT HEAVY ELECTRICALS LIMITED...

TITLE: POWER HOUSE BUILDING ARCHITECTURAL PLAN AT EL.8.50M

DEPT. SCALE SCALE DRAWING NO. PE-DC-391-611-C040 SHEET 1 OF 1 REV. 3

COPY RIGHT AND CONFIDENTIAL. THE INFORMATION ON THIS DOCUMENT IS THE PROPERTY OF BHARAT HEAVY ELECTRICALS LIMITED...

COMPILED FILE NAME: DRG_FILE_NAME