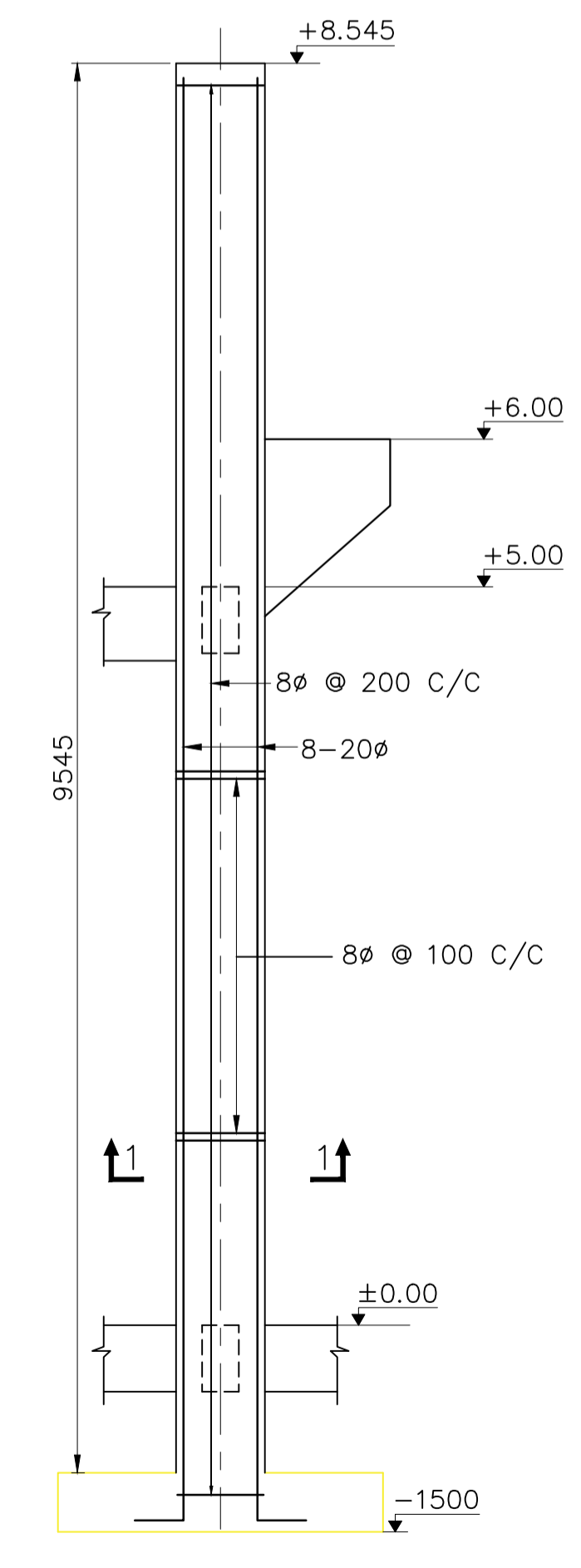
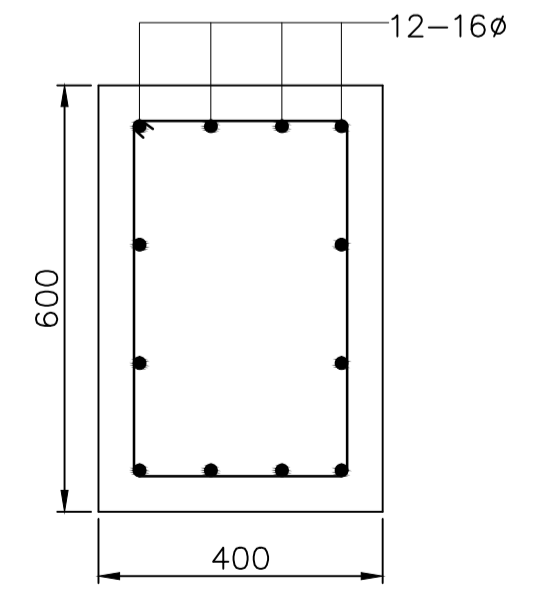


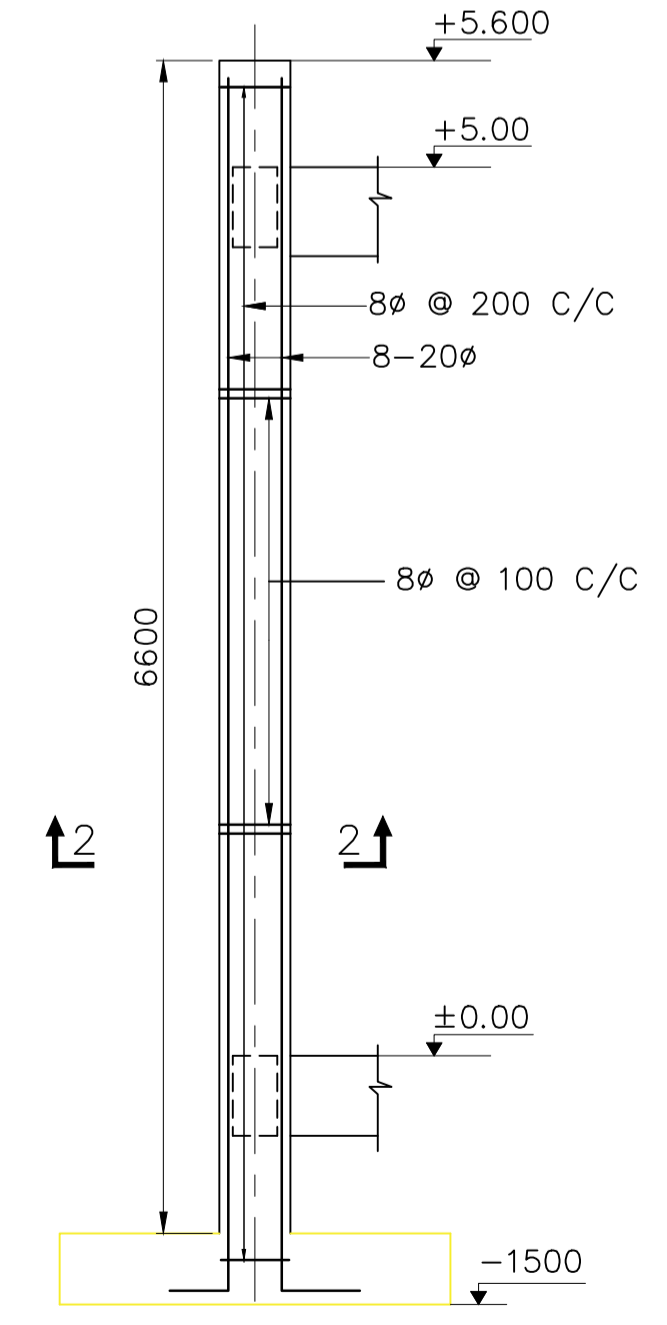
COLUMN LAYOUT PLAN
SCALE 1:150



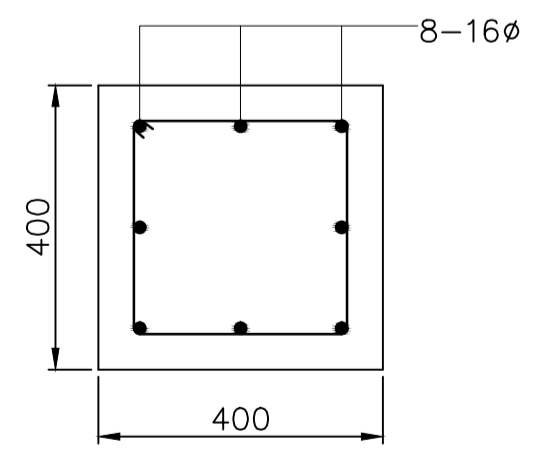
LONGITUDINAL SECTION OF COLUMN C1-A
SCALE 1:40



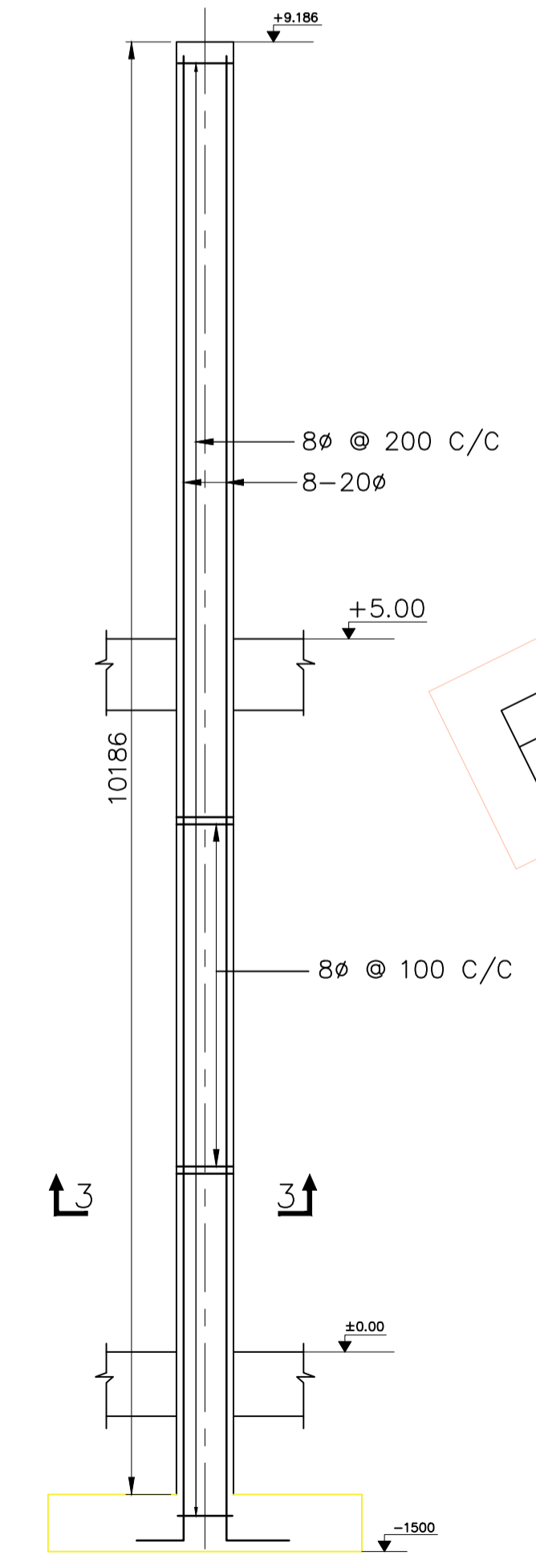
COL-C1-A
SECTION 1-1
SCALE 1:10



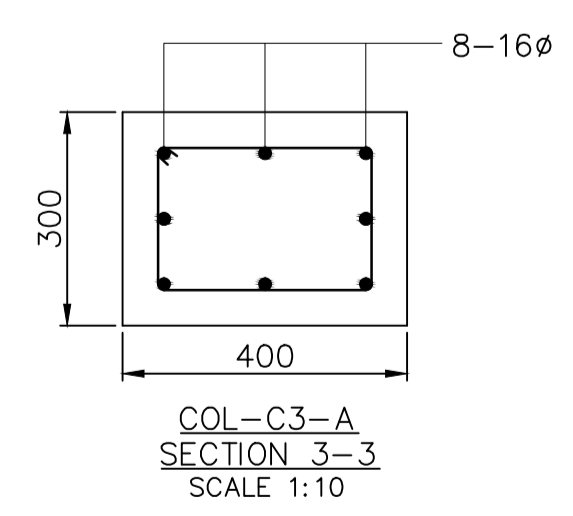
LONGITUDINAL SECTION OF COLUMN C2-A
SCALE 1:40



COL-C2-A
SECTION 2-2
SCALE 1:10



LONGITUDINAL SECTION OF COLUMN C3-A
SCALE 1:40



COL-C3-A
SECTION 3-3
SCALE 1:10

FOR TENDER PURPOSE ONLY

NOTE: -
1. ALL DIMENSIONS ARE IN MM & LEVELS ARE IN MTR.

0	MANTRA	04.10.2016	FOR APPROVAL			
NO	BY	DATE	DESCRIPTION			
REVISIONS						
		CLIENT: -				
		ODISHA POWER GENERATION CORPORATION LTD. BANAHARPALI, JHARSUGUDA ODISHA				
TITLE: -		SCALE:	DGN	DRN	CHK	APR
WORKSHOP COLUMN LAYOUT PLAN		1:150,40,10	DRB	SA		
		04.10.2016	04.10.2016			
PROJECTION		DRG. NO.	MANTRA/OPGC/WS/SR-04		REV.	0
		CONSULTANT: -				
		MANTRA UDYOG, BHUBANESWAR				
THIS DRAWING IS THE PROPERTY OF MANTRA UDYOG AND NOT TO BE COPIED OR						