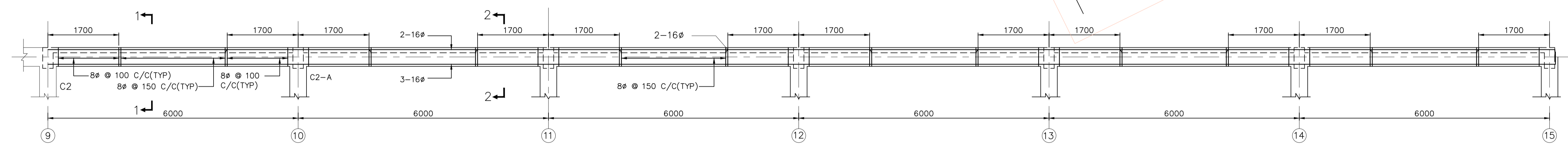
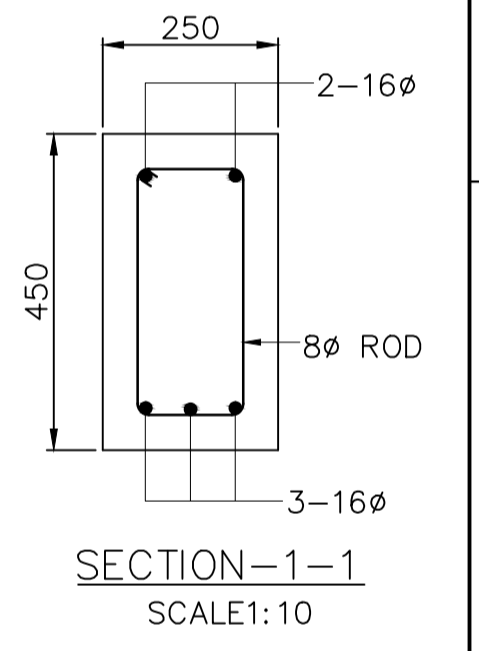


ROOF LAYOUT PLAN
SCALE 1:120

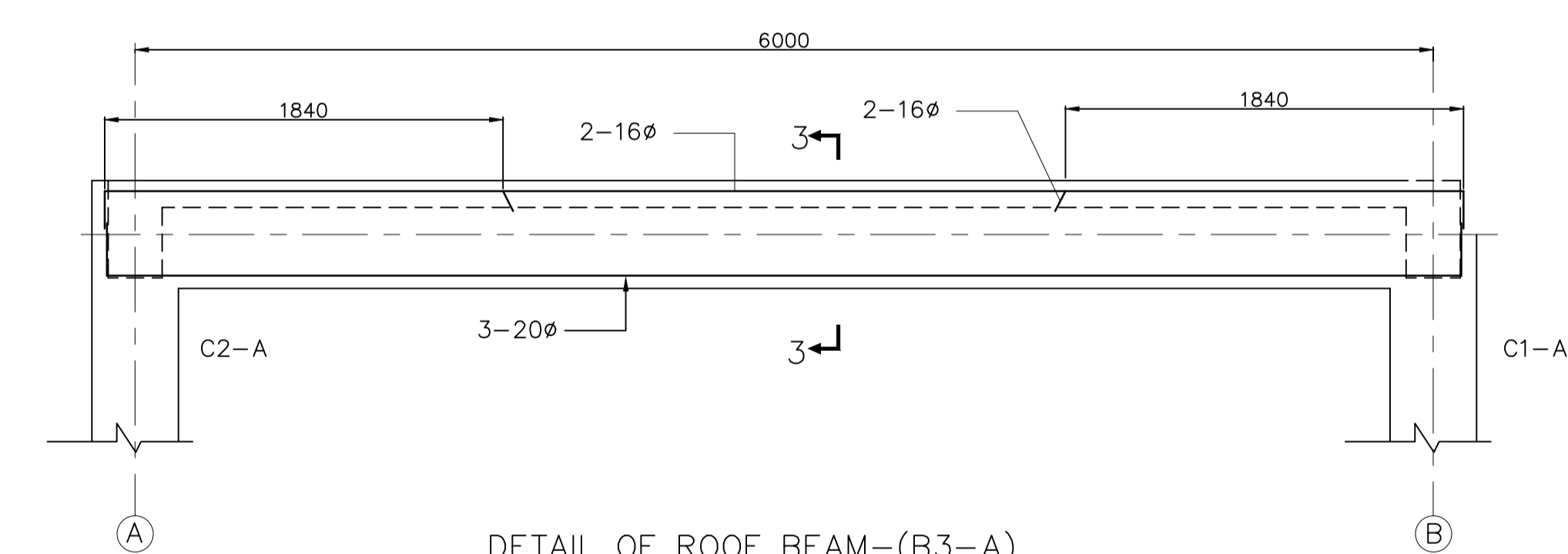
FOR TENDER PURPOSE ONLY



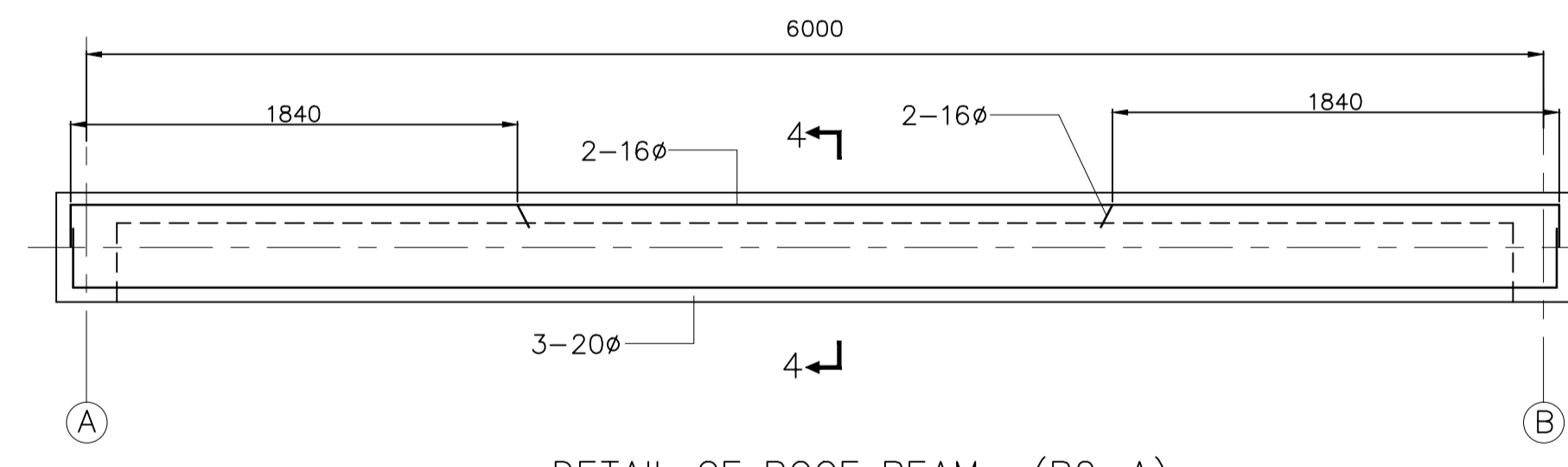
DETAIL OF ROOF BEAM-(B1-A)
SCALE: 50



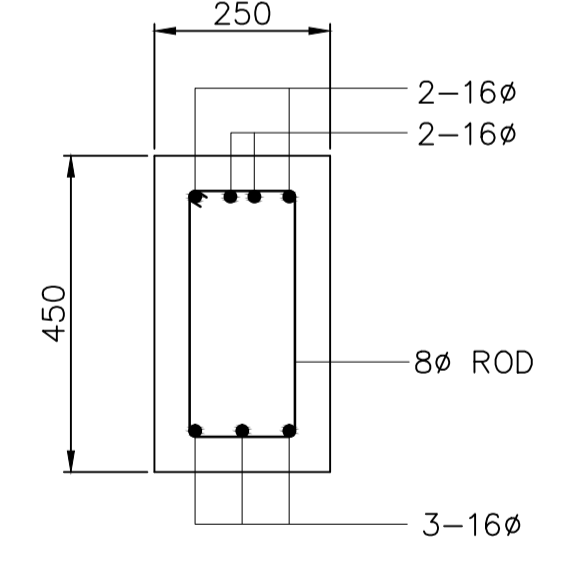
SECTION-1-1
SCALE: 10



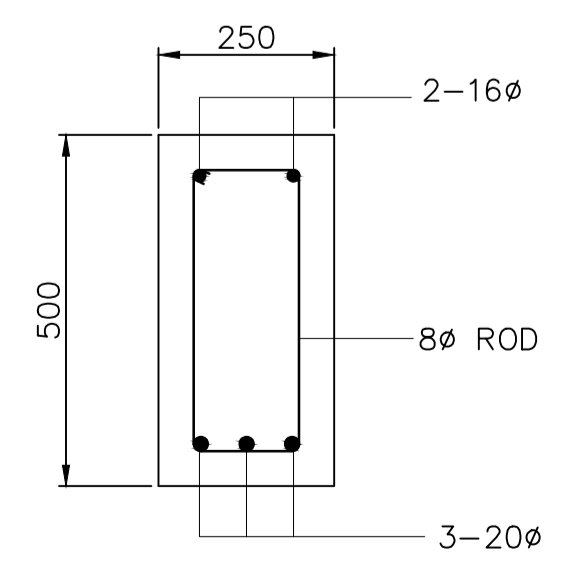
DETAIL OF ROOF BEAM-(B3-A)
SCALE: 25



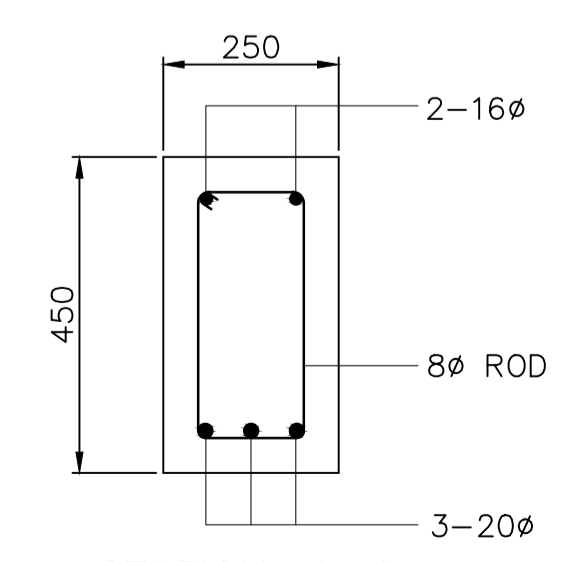
DETAIL OF ROOF BEAM -(B2-A)
SCALE: 25



SECTION-2-2
SCALE: 10



SECTION-3-3
SCALE: 10



SECTION-4-4
SCALE: 10

0	MANTRA	04.10.2016	FOR APPROVAL			
NO	BY	DATE	DESCRIPTION			
REVISIONS						
		CLIENT: - ODISHA POWER GENERATION CORPORATION LTD. BANAHARPALI, JHARSUGUDA ODISHA				
TITLE :- WORKSHOP ROOF LAYOUT PLAN			SCALE: 1:80:1:20	DGN DRB	DRN SA	CHK APR
PROJECTION 			DRG. NO. MANTRA/OPGC/WS/SR-010	04.10.2016 04.10.2016	REV. 0	
		CONSULTANT: - MANTRA UDYOG, BHUBANESWAR				
THIS DRAWING IS THE PROPERTY OF MANTRA UDYOG AND NOT TO BE COPIED OR						