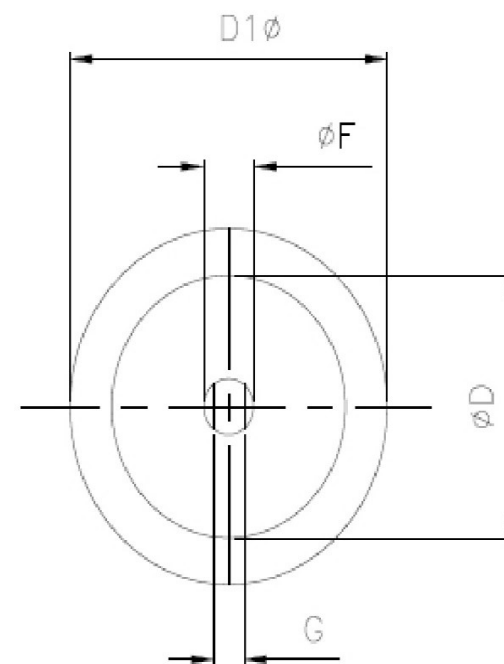
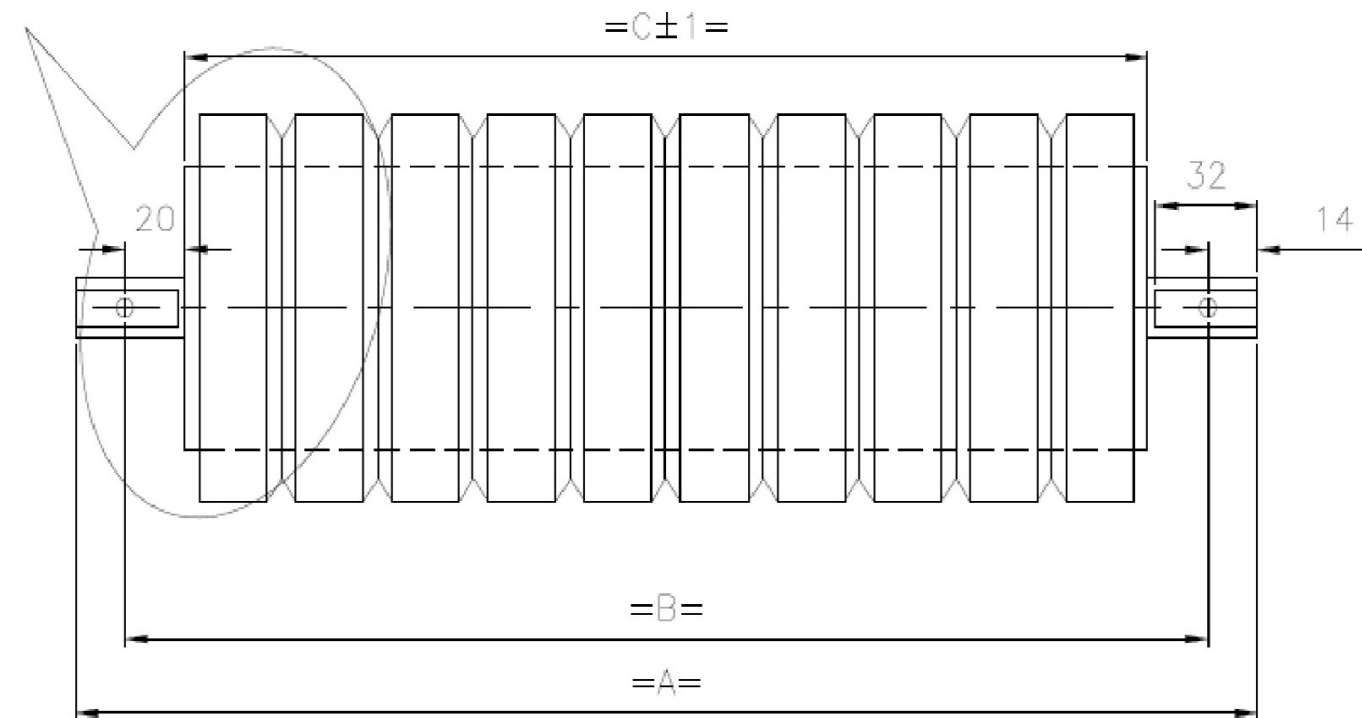
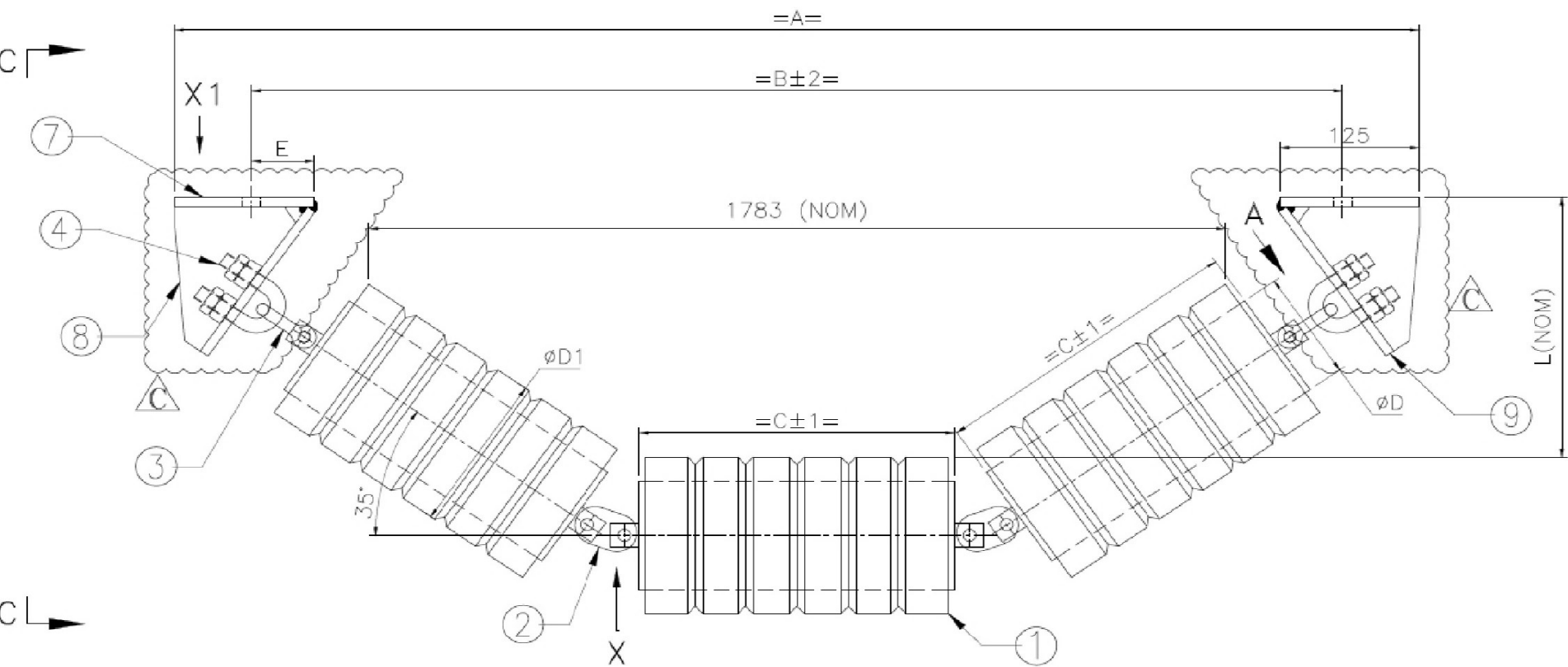


DESCRIPTION	A	B	C	ØD	ØD1	F	G	WT/ROLL
ROLLER FOR GARLAND TYPE IMPACT IDLER FOR 1800 MM BELT WIDTH	738	710	670	139.7	190	35	28	22.0 KG





DESCRIPTION	A	B	C	D	D1	E	F	G	L	TOTAL QTY. (FOR 4NOS. M/C)	TOTAL WT.(kg.) (FOR 1 SET)
PADDLE FEEDER IMPACT NEST, GARLAND TYPE 3-EQUAL ROLL IMPACT IDLERFOR 1800 MM BELT WIDTH.	2240	2100	670	139.7	190	55	200	260	468	52	90

C

C