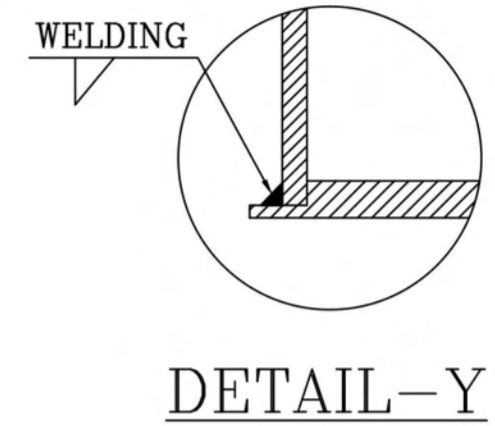
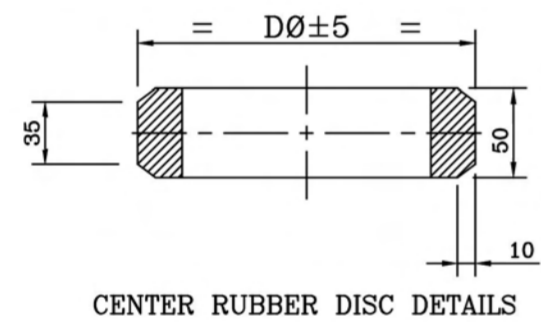


BASIC DATA:-  
 CAPACITY:-2600 T.P.H  
 DUTY:-CONTINUOUS  
 MATERIAL:-COAL  
 LUMP SIZE:-(-)100MM,(-)20MM  
 BELT SPEED:- 3.14 M/SEC (MAX)



SI NO	B/W	A	B	C	D $\phi$	d $\phi$	E	H $\phi$	G	F $\phi$	SHAFT DIA AT BEARING	BRG.NO.	BRG.MAKE	WT.OF ROTATING PART APPROX. (KG)	WT.OF ROLL (KG)
1	1800	702	678	670	190	139.7	12	35	28	35.15	35	6207-Z	SKF/FAG/NBC	23	30



CENTER RUBBER DISC DETAILS

DET-XX  
 SPINDLE TYPE-A

REV.	REV.DT	DETAIL OF REVISION	BY	CHD.	APP.	ACKD	REF.DRW. NO	DETAILS OF REF DRW.
DESCRIPTION : G.A OF ROLLER FOR IMPACT IDLER - 1800 MM BELT WIDTH								