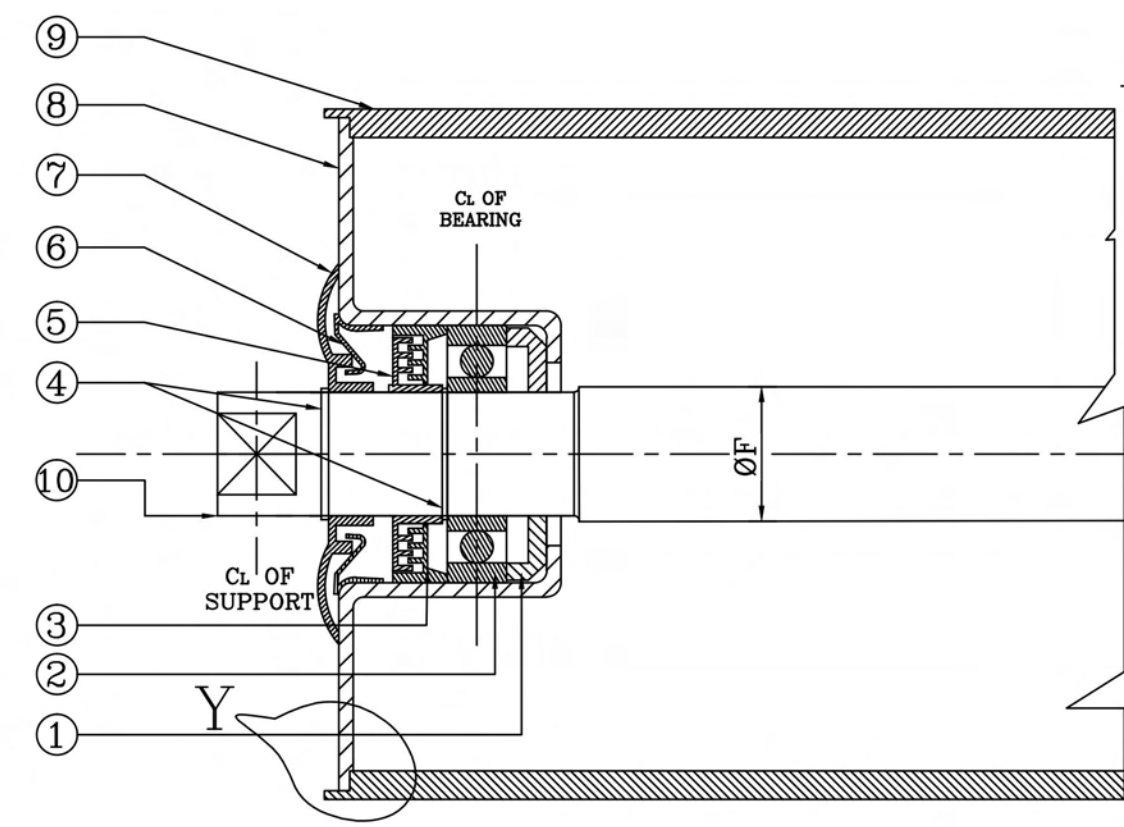
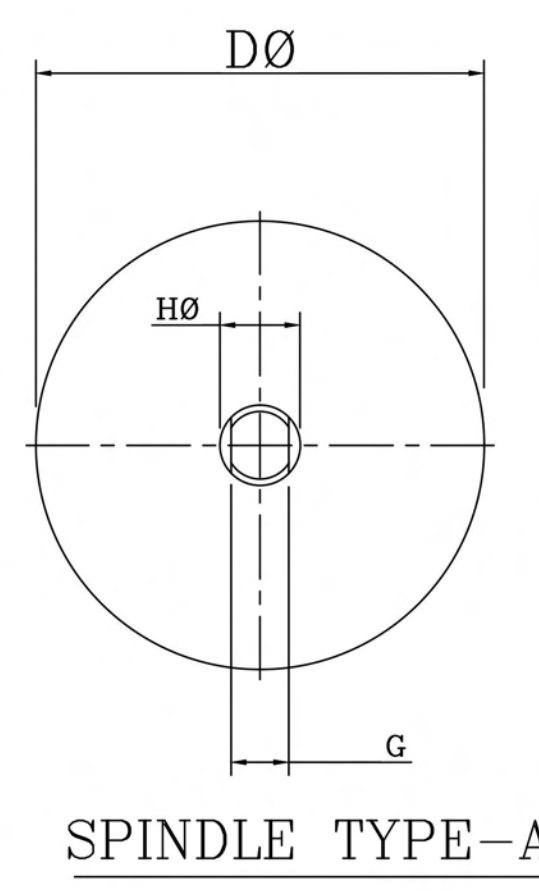
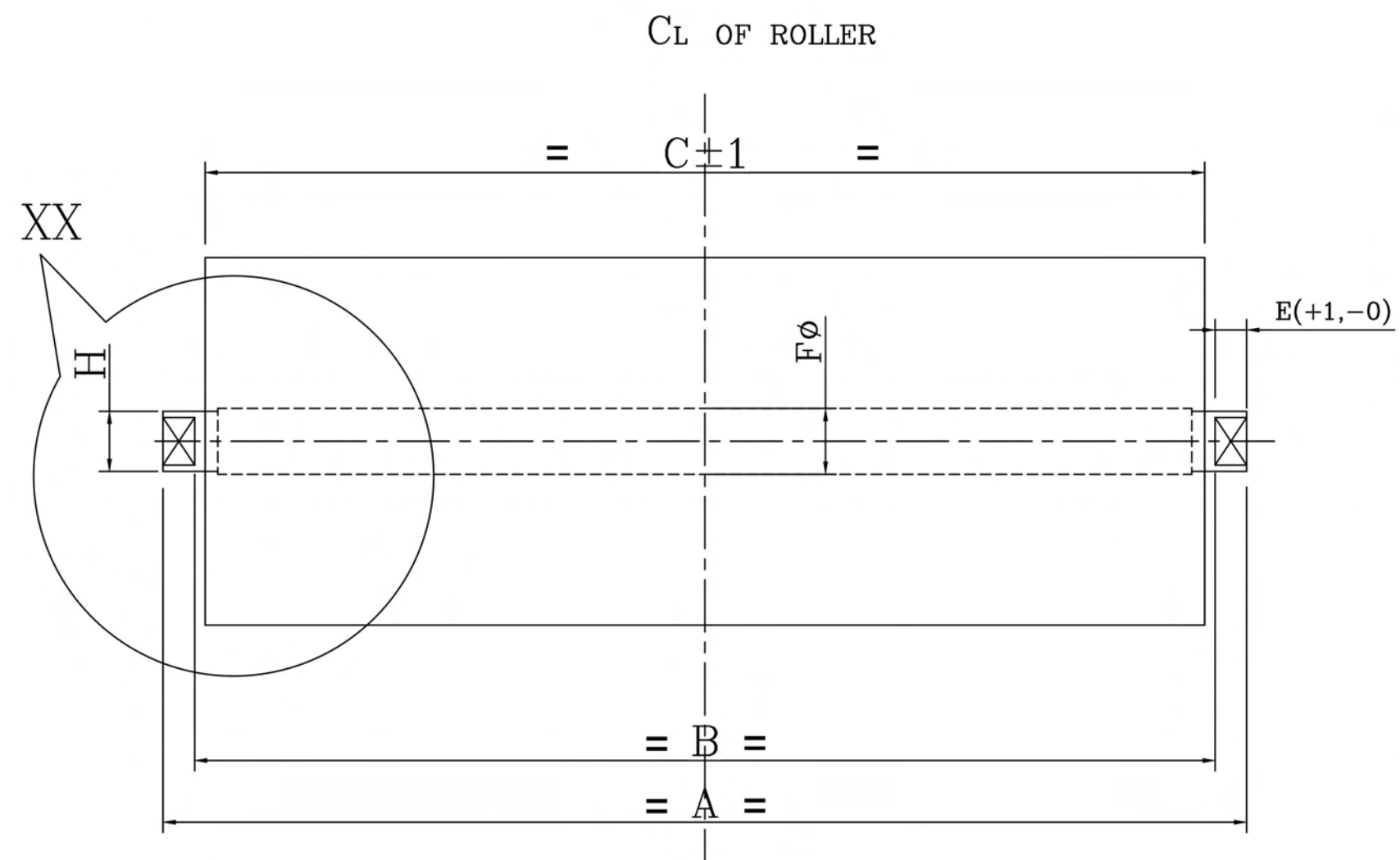
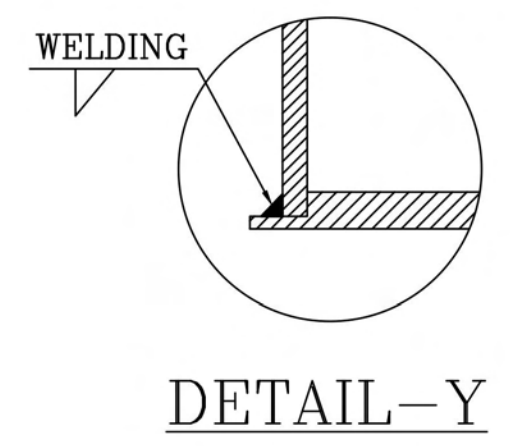


BASIC DATA:-
 CAPACITY:-2600 T.P.H
 DUTY:-CONTINUOUS
 MATERIAL:-COAL
 LUMP SIZE:-(-)100MM,(-)20MM
 BELT SPEED:- 3.14 M/SEC (MAX)



SI NO	B/W	A	B	C	D∅	E	F∅	G	H∅	SHAFT DIA AT BEARING	BRG.NO.	BRG.MAKE	WT.OF ROTATING PARTS APPROX (KG)	WT.OF SINGLE ROLL APPROX (KG)
1	1800	702	678	670	152.4	12	30.15	22	30	30	6206-Z	SKF/FAG/NBC	14	18



SI NO	QTY	DESCRIPTION	MATERIAL
10	1	SHAFT	SEE NOTE-09
09	1	TUBE	ERW-IS:9295
08	2	BEARING HOUSING	MADE OF 3MM(MIN) HR EDD SHEET AS PER IS:1079.
07	2	RAIN CAP	NYLON-6
06	2	DUST COVER/END CAP 0.8mm THK.	IS:513, CRCA-DD
05	2	OUTER LABYRINTH	NYLON-6
04	4	CIRCLIP-A30/HEAVY DUTY	IS:3075
03	2	INNER LABYRINTH	NYLON-6
02	2	SINGLE ROW DEEP GROOVE BALL BEARING	6206-Z C3 CLEARANCE
01	2	NYLON BACK SEAL	NYLON-6

BILL OF MATERIAL

NOTES:-

SPECIAL NOTE:-

SHEET 3 of 10

REV.	REV.DT	DETAIL OF REVISION	BY	CHD.	APP.	ACKD	REF.DRW. NO	DETAILS OF REF DRW.

PROJECT:- IB THERMAL POWER STATION
2 X 660 MW UNITS 3 & 4

DESCRIPTION : G.A OF ROLLER FOR CARRYING IDLER - 1800 MM BELT WIDTH

SCALE	NTS
-------	-----