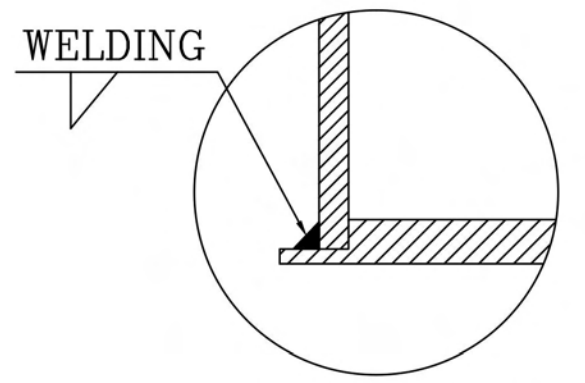
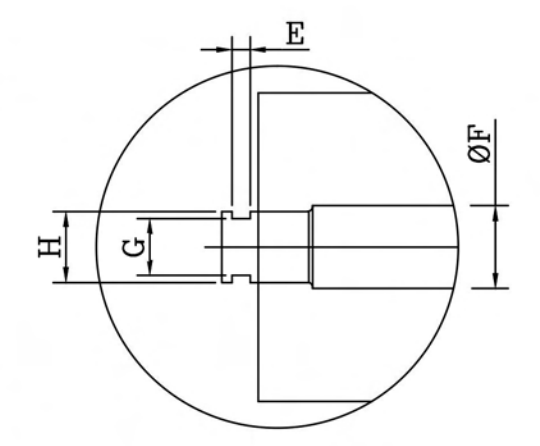
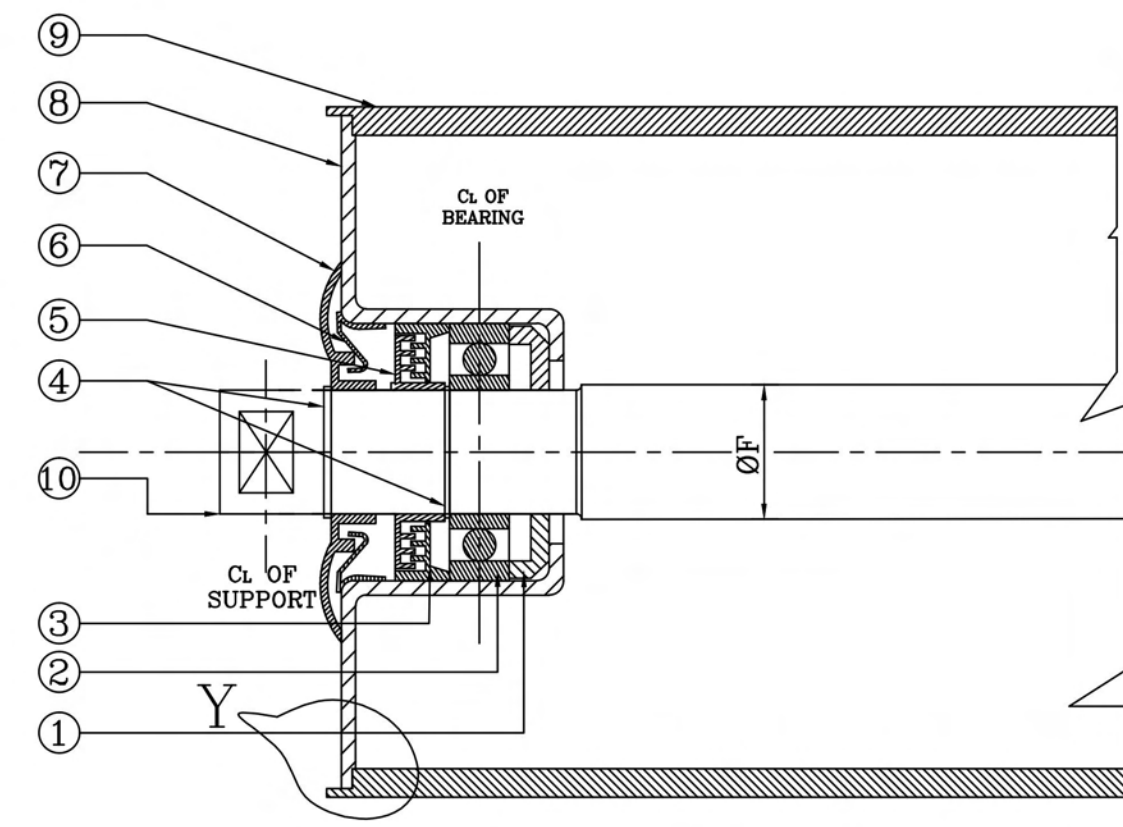
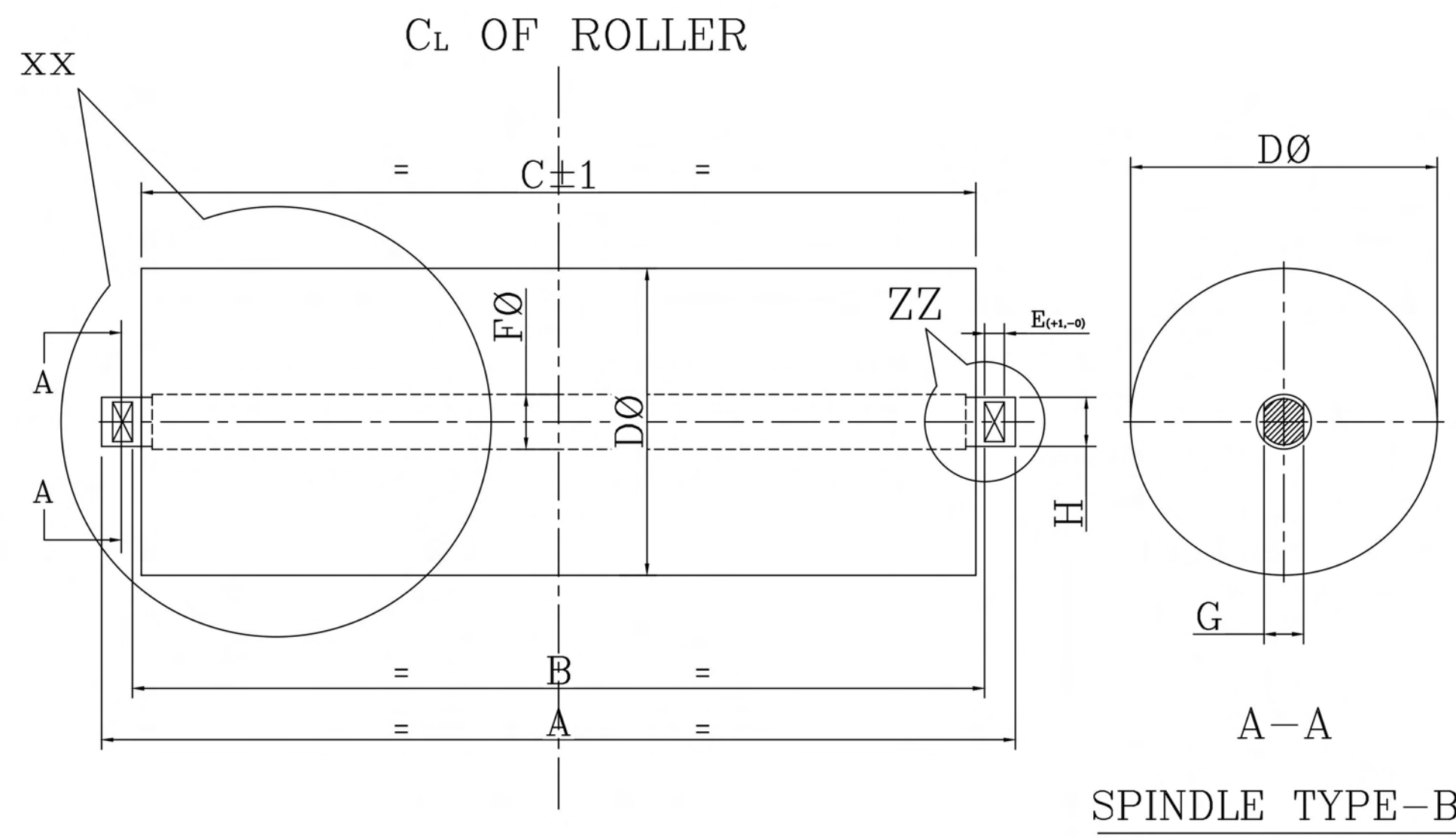


BASIC DATA:-
 CAPACITY:-2600 T.P.H
 DUTY:-CONTINUOUS
 MATERIAL:-COAL
 LUMP SIZE:-(-)100MM,(-)20MM
 BELT SPEED:- 3.14 M/SEC (MAX)



SI NO	B/W	A	B	C	DØ	E	FØ	G	HØ	SHAFT DIA AT BEARING	BRG.NO.	BRG.MAKE	WT.OF ROTATING PARTS APPROX (KG)	WT.OF SINGLE ROLL APPROX (KG)
1	1800	2036	2008	2000	152.4	9	35.15	28	35	35	6207-Z	SKF/FAG/NBC	37.5	53

NOTES:-
 SPECIAL NOTE:-

SHEET 7 of 10

REV.	REV.DT	DETAIL OF REVISION	BY	CHD.	APP.	ACKD	REF.DRW. NO	DETAILS OF REF DRW.

DESCRIPTION : **Single Roll Return Idler, 2000mm**