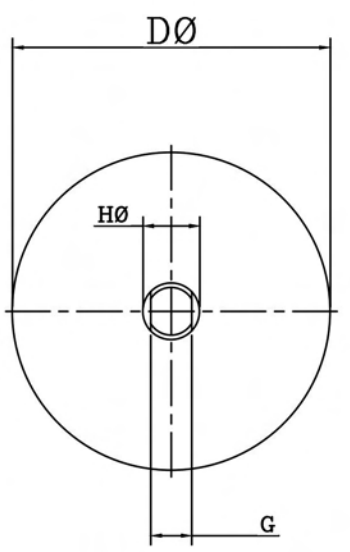
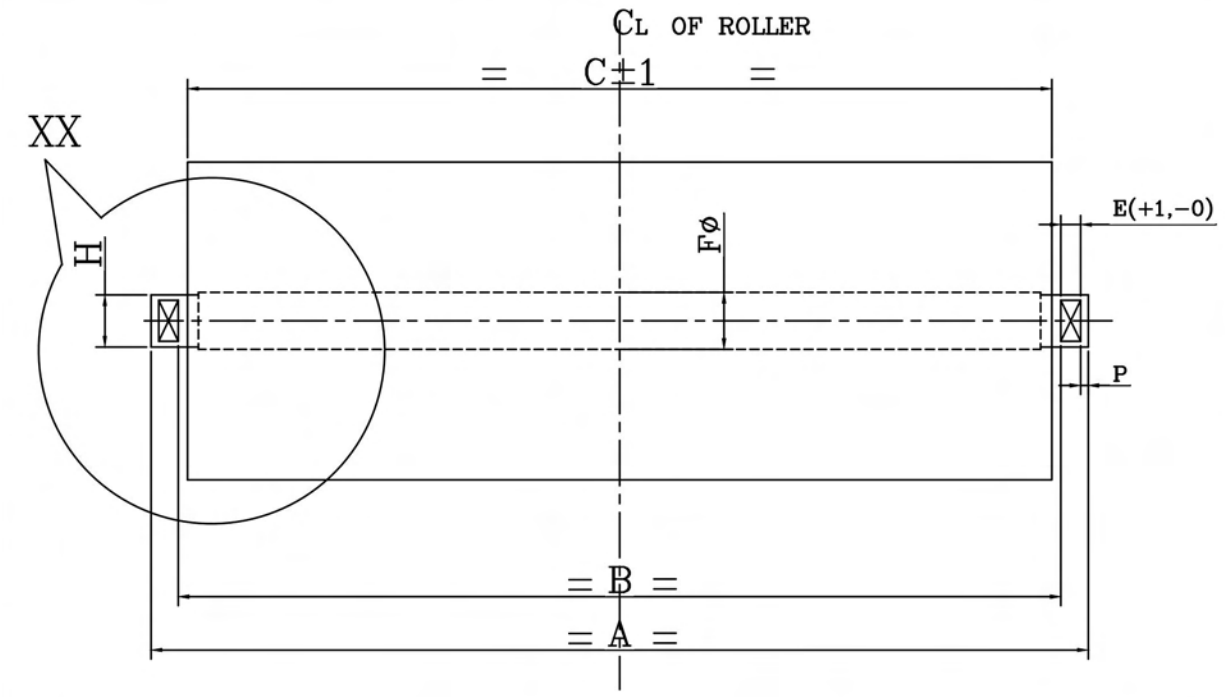
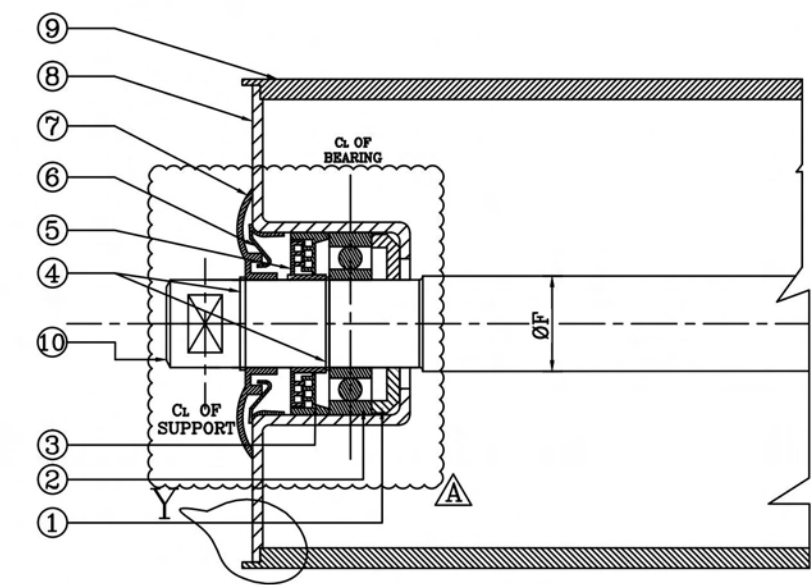


BASIC DATA:-  
 CAPACITY:-2800 T.P.H  
 DUTY:-CONTINUOUS  
 MATERIAL:-COAL  
 LUMP SIZE:-(-)100MM,(-)20MM  
 BELT SPEED:- 3.14 M/SEC (MAX)

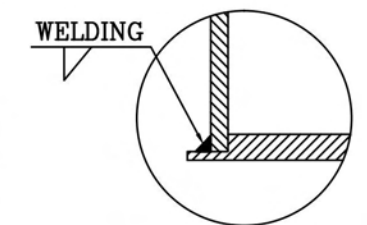


SPINDLE TYPE-A



DET-XX  
 SPINDLE TYPE-A

SI NO	B/W	A	B	C	Dø	E	Fø	G	Hø	P	SHAFT DIA AT BEARING	BRG.NO.	BRG.MAKE	WT.OF ROTATING PARTS APPROX (KG)	WT.OF SINGLE ROLL APPROX (KG)	REMARKS
1	1800	1036	1008	1000	152.4	9	30.15	22	30	5	30	6026-Z	SKF/FAG/NBC	19	27	TWO ROLL 'V' RETURN



DETAIL-Y

JOB No.:			TITLE:			
NAME	SIGN	DATE	<b>GA OF TWO ROLL 'V' RETURN ROLLER</b>			
DSGN	DHANJEE	23.05.16				
DRWN	DHANJEE	23.05.16				
CHKD	MANAS	23.05.16				
APPD	MANOJ	23.05.16	REV. A			

REV. NO.	DATE	DETAIL OF REVISION	DSGN.	DRWN.	CHD.	APP.
A	03.06.16	REVISED AS MARKED	DHANJEE	DHANJEE	MANAS	MANOJ
0	23.05.16	FIRST SUBMISSION	DHANJEE	DHANJEE	MANAS	MANOJ

CAD SOFTWARE AutoCAD